

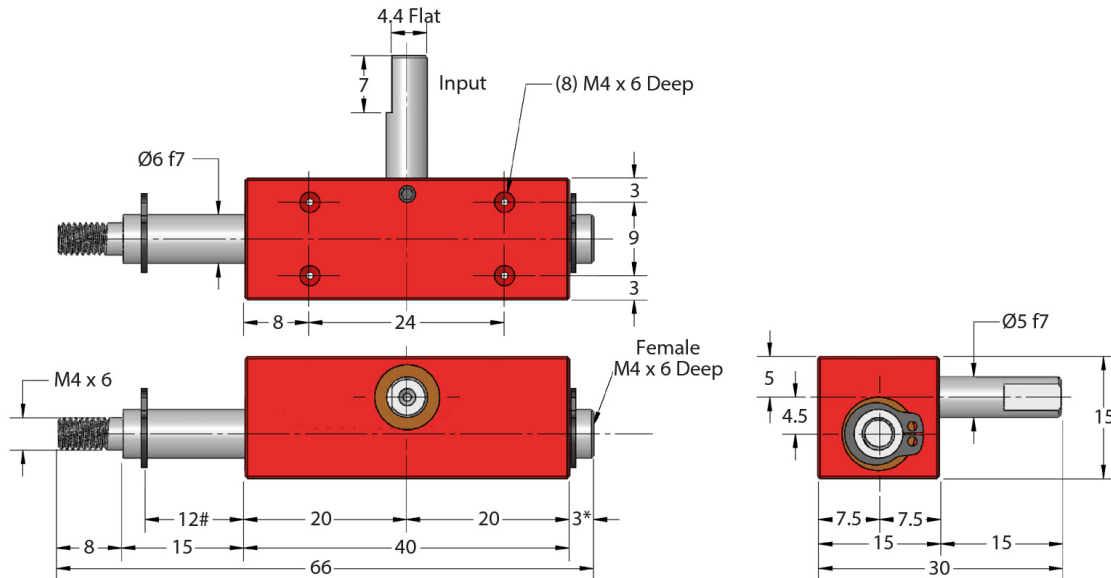
RPA6

GEARBOXES

Rack & Pinion Actuator Box

10 mm Stroke, 7.5 kg Load, 0.24 Nm

RPA6



Maximum extension } These figures will increase/decrease during operation
 * Minimum extension }

Part Number	Output Shaft Dia.	Input Shaft Dia.	Standard Travel	Max Torque Input at 100 rpm Nm	Max Load Output kg	Angular Movement For 1mm Travel	Angular Movement For Std Travel
RPA6-10	Ø6	Ø5	10	0.24	7.5	19.10°	191°

Case: Aluminum. Rack & Pinion: High Carbon Steel 817M40 (EN24).

Backlash: 2°.

Travel: 10 mm travel = 191° pinion rotation on input. 1 mm travel = 19.10° pinion rotation on input.

Greased for Life: Shell Gadus S5 V42P 2.5.

Special lengths or travel can be supplied to suit customers' requirements.

ondrives.us

1-888-260-7466
516-771-6444

sales@ondrivesus.com
www.ondrivesus.com