

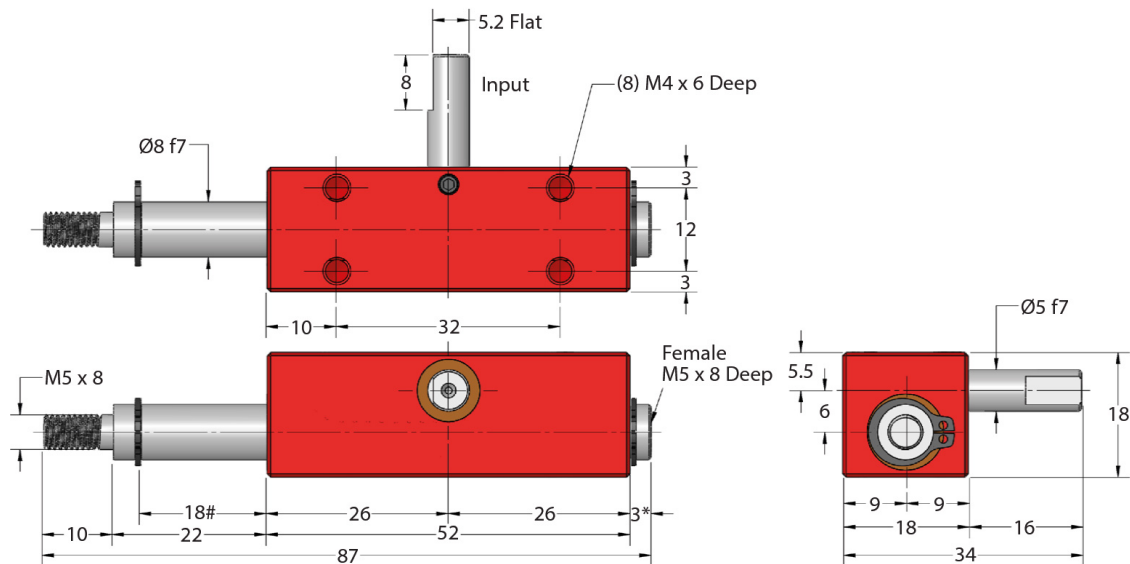
RPA8

# GEARBOXES

## Rack & Pinion Actuator Box

15 mm Stroke, 11 kg Load, 0.43 Nm

RPA8



# Maximum extension } These figures will increase/decrease during operation  
 \* Minimum extension }

Part Number	Output Shaft Dia.	Input Shaft Dia.	Standard Travel	Max Torque Input at 100 rpm Nm	Max Load Output kg	Angular Movement For 1mm Travel	Angular Movement For Std Travel
RPA8-15	Ø8	Ø6	15	0.43	11	15.92°	238.8°

Case: Aluminum. Rack & Pinion: High Carbon Steel 817M40 (EN24).

Backlash: 2°.

Travel: 15 mm travel = 238.8° pinion rotation on input. 1 mm travel = 15.92° pinion rotation on input.

Greased for Life: Shell Gadus S5 V42P 2.5.

Special lengths or travel can be supplied to suit customers' requirements.

**ondrives.us**

☎ 1-888-260-7466  
 📄 516-771-6444

💻 sales@ondrivesus.com  
 🌐 www.ondrivesus.com