

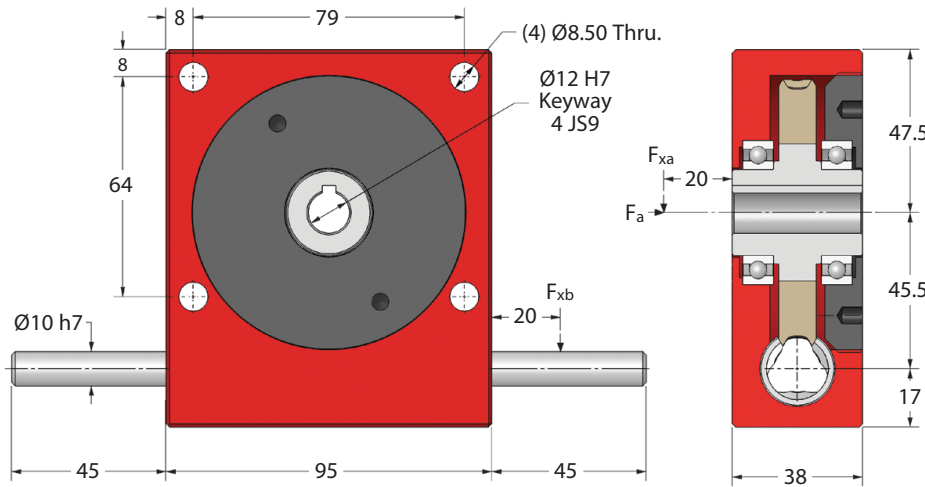
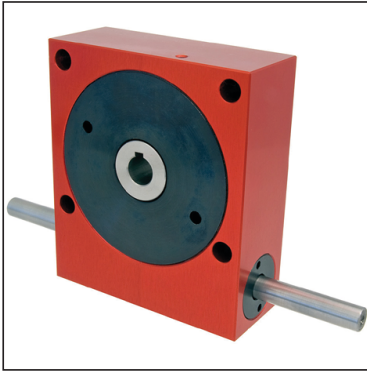
P45

e-cad
Drawings
Available

GEARBOXES

Precision Worm Gear Reducers

Shaft Input 10.3 – 40 Nm **5:1 - 120:1**



Standard	Part Number	Part Number	Ratio	Efficiency at 1000 Rpm	Reflected Inertia at Input (kg.m ²)	Self Locking Output
≤30'	Low Backlash ≤8'	Red. Backlash ≤4'				
P45-10	P45-10A	P45-10AR	10:1	90%	6.15 x 10 ⁻⁶	✗
P45-12	P45-12A	P45-12AR	12:1	89%	5.32 x 10 ⁻⁶	✗
P45-15	P45-15A	P45-15AR	15:1	86%	4.64 x 10 ⁻⁶	✗
P45-20	P45-20A	P45-20AR	20:1	85%	4.11 x 10 ⁻⁶	✗
P45-30	P45-30A	P45-30AR	30:1	78%	3.73 x 10 ⁻⁶	✗
P45-60	P45-60A	P45-60AR	60:1	67%	3.51 x 10 ⁻⁶	✓
P45-120	P45-120A	P45-120AR	120:1	47%	2.88 x 10 ⁻⁶	✓
P45-SP	P45-SPA	P45-SPAR	5:1-120:1	Special Ratios : Replace SP with required ratio		

Accessories

- P45-X Single Output Shafts
- P45-DX Double Output Shafts
- KK4-25 Output Key

Weight: 1.70 kg. Greased for Life: Shell Gadus S5 V42P 2.5.
F_{xb} at 1000 Rpm: 12 kg. F_{xa} at 1000 Rpm: 45 kg. F_a at 1000 Rpm: 30 kg.

Input Shaft Modifications:

Smaller Diameter, Mill Keyway/Flat, Shorten Shaft Length.
Circlip Groove, Pin Hole.

Testing in your application is necessary.
You will need to assess duty cycles and confirm suitability with your own calculations.
All figures listed are to be used for guidance only.

Output Torque Nm

Rpm	Reduction Ratio							
Input	10:1	12:1	15:1	20:1	30:1	60:1	120:1	
3000	10.3	10.8	11.3	12.2	13.2	14.7	10.8	
2000	11.7	12.2	12.7	13.2	14.7	17.1	12.7	
1000	14.7	15.2	16.2	17.1	18.1	20.6	14.3	
500	19.1	19.6	20.6	21.6	22.5	24.5	17.5	
200	24.4	25.5	26.4	27.0	28.9	30.0	20.6	
100	28.3	28.9	29.4	30.3	31.8	33.8	22.8	
50	32.3	32.8	33.8	34.3	34.5	35.2	23.0	
10	39.9	39.9	39.9	40.0	40.0	40.0	23.0	