

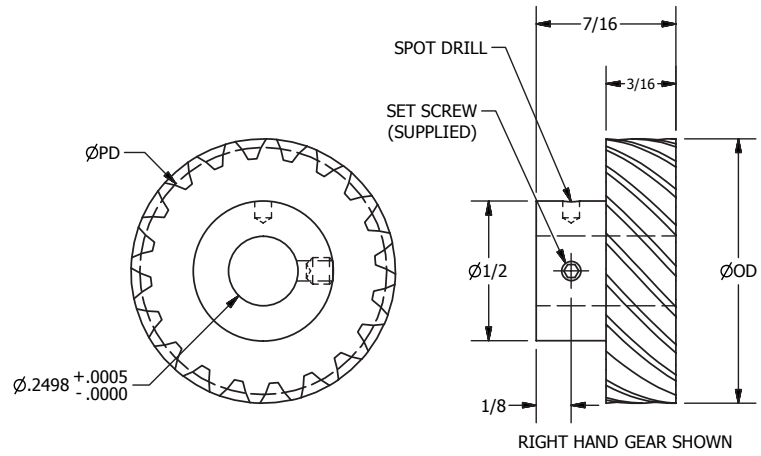
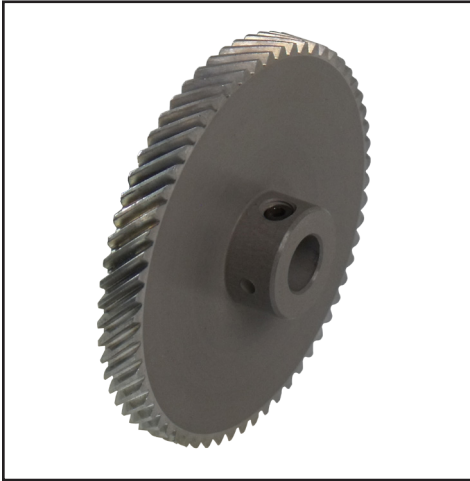
HG32

GEARS

Helical

32 Diametral Pitch

HG32



Part Number						
303 Stainless Steel		2024-T4 Aluminum, Anodized		Teeth	Pitch Diameter	Outside Diameter
Right Hand	Left Hand	Right Hand	Left Hand			
HG32P28S-16R	HG32P28S-16L	HG32P28A-16R	HG32P28A-16L	16	0.7071	0.769
HG32P28S-24R	HG32P28S-24L	HG32P28A-24R	HG32P28A-24L	24	1.0606	1.122
HG32P28S-32R	HG32P28S-32L	HG32P28A-32R	HG32P28A-32L	32	1.4142	1.476
HG32P28S-40R	HG32P28S-40L	HG32P28A-40R	HG32P28A-40L	40	1.7677	1.829
HG32P28S-48R	HG32P28S-48L	HG32P28A-48R	HG32P28A-48L	48	2.1213	2.183
HG32P28S-64R	HG32P28S-64L	HG32P28A-64R	HG32P28A-64L	64	2.8284	2.890
HG32P28S-80R	HG32P28S-80L	HG32P28A-80R	HG32P28A-80L	80	3.5355	3.597
HG32P28S-96R	HG32P28S-96L	HG32P28A-96R	HG32P28A-96L	96	4.2426	4.304

Gear Data

Pitch 32DP
 AGMA 10
 Pressure Angle 20°
 Helix Angle 45°