

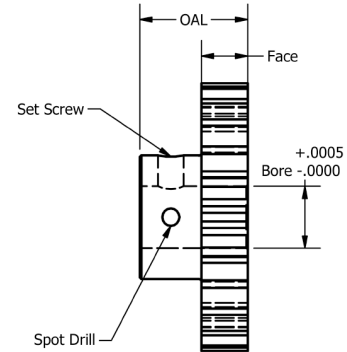
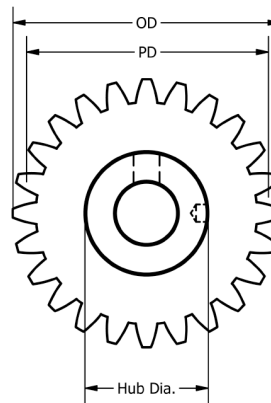
**SGP-A/S**  
**32 Pitch**

# GEARS

**SGP-A/S**  
**32 Pitch**

## 32 Pitch Precision Spur Gears - Set Screw Hub

Aluminum, Stainless Steel, AGMA Quality 10, 20° Pressure Angle



| Part Number   |  |  | No. of Teeth | Pitch Dia. PD | Outside Dia. OD |
|---|--|--|--------------|---------------|-----------------|
| Aluminum, Anodized  |  |  |              |               |                 |
| 0.1873 Bore<br>3/16" Face<br>3/8" HD<br>13/32" OAL<br>#4-40 Screw | 0.2498 Bore<br>1/8" Face<br>1/2" HD<br>3/8" OAL<br>#6-32 Screw | 0.2498 Bore<br>3/16" Face<br>1/2" HD<br>7/16" OAL<br>#6-32 Screw |              |               |                 |
| SG32P21A-12 ▲   | ---  | ---  | 12           | 0.3750        | 0.438           |
| SG32P21A-15   | ---  | ---  | 15           | 0.4688        | 0.531           |
| SG32P21A-16   | ---  | ---  | 16           | 0.5000        | 0.563           |
| SG32P21A-17   | ---  | ---  | 17           | 0.5313        | 0.594           |
| SG32P21A-18   | SG32P26A-18  | SG32P28A-18  | 18           | 0.5625        | 0.625           |
| SG32P21A-20   | SG32P26A-20  | SG32P28A-20  | 20           | 0.6250        | 0.688           |
| SG32P21A-22   | SG32P26A-22  | SG32P28A-22  | 22           | 0.6875        | 0.750           |
| SG32P21A-24   | SG32P26A-24  | SG32P28A-24  | 24           | 0.7500        | 0.813           |
| SG32P21A-25   | SG32P26A-25  | SG32P28A-25  | 25           | 0.7813        | 0.844           |
| SG32P21A-26   | SG32P26A-26  | SG32P28A-26  | 26           | 0.8125        | 0.875           |
| SG32P21A-28   | SG32P26A-28  | SG32P28A-28  | 28           | 0.8750        | 0.938           |
| SG32P21A-30   | SG32P26A-30  | SG32P28A-30  | 30           | 0.9375        | 1.000           |
| SG32P21A-32   | SG32P26A-32  | SG32P28A-32  | 32           | 1.0000        | 1.063           |
| SG32P21A-35   | SG32P26A-35  | SG32P28A-35  | 35           | 1.0938        | 1.156           |
| SG32P21A-36   | SG32P26A-36  | SG32P28A-36  | 36           | 1.1250        | 1.188           |
| SG32P21A-40   | SG32P26A-40  | SG32P28A-40  | 40           | 1.2500        | 1.313           |
| SG32P21A-45   | SG32P26A-45  | SG32P28A-45  | 45           | 1.4063        | 1.469           |
| SG32P21A-48   | SG32P26A-48  | SG32P28A-48  | 48           | 1.5000        | 1.563           |
| SG32P21A-50   | SG32P26A-50  | SG32P28A-50  | 50           | 1.5625        | 1.625           |
| SG32P21A-52   | SG32P26A-52  | SG32P28A-52  | 52           | 1.6250        | 1.688           |
| SG32P21A-55   | SG32P26A-55  | SG32P28A-55  | 55           | 1.7188        | 1.781           |
| SG32P21A-56   | SG32P26A-56  | SG32P28A-56  | 56           | 1.7500        | 1.813           |

▲ Teeth cut into hub. Hub diameter may equal O.D.

Continued on next page

**Materials:**

Aluminum - Anodized, 303 Stainless Steel

**On Request:**

14-1/2° Pressure Angle - additional number of teeth.

Customized or custom versions can be produced with accurate deliveries.

Please call us with your needs.

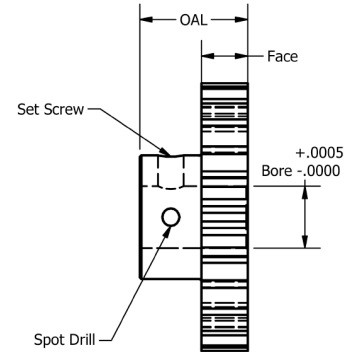
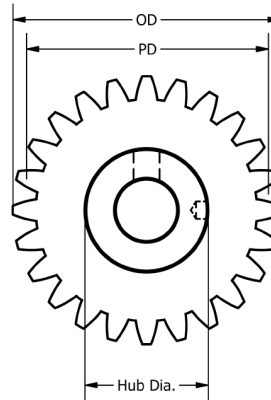
**SGP-A/S**  
**32 Pitch**

# GEARS

**SGP-A/S**  
**32 Pitch**

## 32 Pitch Precision Spur Gears - Set Screw Hub

Aluminum, Stainless Steel, AGMA Quality 10, 20° Pressure Angle



| Part Number   |  |  | No. of Teeth | Pitch Dia. PD | Outside Dia. OD |
|---|--|--|--------------|---------------|-----------------|
| Aluminum, Anodized  |  |  |              |               |                 |
| 0.1873 Bore<br>3/16" Face<br>3/8" HD<br>13/32" OAL<br>#4-40 Screw | 0.2498 Bore<br>1/8" Face<br>1/2" HD<br>3/8" OAL<br>#6-32 Screw | 0.2498 Bore<br>3/16" Face<br>1/2" HD<br>7/16" OAL<br>#6-32 Screw |              |               |                 |
| SG32P21A-60   | SG32P26A-60  | SG32P28A-60  | 60           | 1.8750        | 1.938           |
| SG32P21A-64   | SG32P26A-64  | SG32P28A-64  | 64           | 2.0000        | 2.063           |
| SG32P21A-65   | SG32P26A-65  | SG32P28A-65  | 65           | 2.0313        | 2.094           |
| SG32P21A-68   | SG32P26A-68  | SG32P28A-68  | 68           | 2.1250        | 2.188           |
| SG32P21A-70   | SG32P26A-70  | SG32P28A-70  | 70           | 2.1875        | 2.250           |
| SG32P21A-72   | SG32P26A-72  | SG32P28A-72  | 72           | 2.2500        | 2.313           |
| SG32P21A-75   | SG32P26A-75  | SG32P28A-75  | 75           | 2.3438        | 2.406           |
| SG32P21A-80   | SG32P26A-80  | SG32P28A-80  | 80           | 2.5000        | 2.563           |
| SG32P21A-84   | SG32P26A-84  | SG32P28A-84  | 84           | 2.6250        | 2.688           |
| SG32P21A-85   | SG32P26A-85  | SG32P28A-85  | 85           | 2.6563        | 2.719           |
| SG32P21A-88   | SG32P26A-88  | SG32P28A-88  | 88           | 2.7500        | 2.813           |
| SG32P21A-90   | SG32P26A-90  | SG32P28A-90  | 90           | 2.8125        | 2.875           |
| SG32P21A-92   | SG32P26A-92  | SG32P28A-92  | 92           | 2.8750        | 2.938           |
| SG32P21A-95   | SG32P26A-95  | SG32P28A-95  | 95           | 2.9688        | 3.031           |
| SG32P21A-96   | SG32P26A-96  | SG32P28A-96  | 96           | 3.0000        | 3.063           |
| SG32P21A-100  | SG32P26A-100   | SG32P28A-100   | 100          | 3.1250        | 3.188           |
| SG32P21A-104  | SG32P26A-104   | SG32P28A-104   | 104          | 3.2500        | 3.313           |
| SG32P21A-108  | SG32P26A-108   | SG32P28A-108   | 108          | 3.3750        | 3.438           |
| SG32P21A-112  | SG32P26A-112   | SG32P28A-112   | 112          | 3.5000        | 3.563           |
| SG32P21A-116  | SG32P26A-116   | SG32P28A-116   | 116          | 3.6250        | 3.688           |
| SG32P21A-120  | SG32P26A-120   | SG32P28A-120   | 120          | 3.7500        | 3.813           |
| SG32P21A-128  | SG32P26A-128   | SG32P28A-128   | 128          | 4.0000        | 4.063           |

▲ Teeth cut into hub. Hub diameter may equal O.D.

**Materials:**

Aluminum - Anodized, 303 Stainless Steel

**On Request:**

14-1/2° Pressure Angle - additional number of teeth.

Customized or custom versions can be produced with accurate deliveries.

Please call us with your needs.

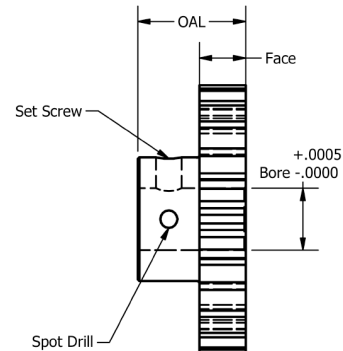
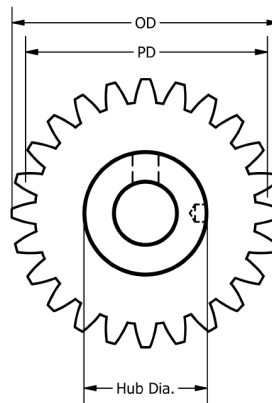
**SGP-A/S**  
**32 Pitch**

# GEARS

**SGP-A/S**  
**32 Pitch**

## 32 Pitch Precision Spur Gears - Set Screw Hub

Aluminum, Stainless Steel, AGMA Quality 10, 20° Pressure Angle



| Part Number   |  |  |  | No. of Teeth | Pitch Dia. PD | Outside Dia. OD |
|---|--|--|--|--------------|---------------|-----------------|
| 303 Stainless Steel   |  |  |  |              |               |                 |
| 0.1873 Bore<br>3/16" Face<br>3/8" HD<br>13/32" OAL<br>#4-40 Screw | 0.2498 Bore<br>1/8" Face<br>1/2" HD<br>3/8" OAL<br>#6-32 Screw | 0.2498 Bore<br>3/16" Face<br>1/2" HD<br>7/16" OAL<br>#6-32 Screw | 0.3750 Bore<br>3/8" Face<br>3/4" HD<br>3/4" OAL<br>#10-32" Screw |              |               |                 |
| SG32P215-12▲  | ---  | ---  | ---  | 12           | 0.3750        | 0.438           |
| SG32P215-15   | ---  | ---  | ---  | 15           | 0.4688        | 0.531           |
| SG32P215-16   | ---  | ---  | ---  | 16           | 0.5000        | 0.563           |
| SG32P215-17   | ---  | ---  | ---  | 17           | 0.5313        | 0.594           |
| SG32P215-18   | SG32P265-18  | SG32P285-18  | ---  | 18           | 0.5625        | 0.625           |
| SG32P215-20   | SG32P265-20  | SG32P285-20  | SG32P345-20▲   | 20           | 0.6250        | 0.688           |
| SG32P215-22   | SG32P265-22  | SG32P285-22  | SG32P345-22▲   | 22           | 0.6875        | 0.750           |
| SG32P215-24   | SG32P265-24  | SG32P285-24  | SG32P345-24▲   | 24           | 0.7500        | 0.813           |
| SG32P215-25   | SG32P265-25  | SG32P285-25  | SG32P345-25  | 25           | 0.7813        | 0.844           |
| SG32P215-26   | SG32P265-26  | SG32P285-26  | SG32P345-26  | 26           | 0.8125        | 0.875           |
| SG32P215-28   | SG32P265-28  | SG32P285-28  | SG32P345-28  | 28           | 0.8750        | 0.938           |
| SG32P215-30   | SG32P265-30  | SG32P285-30  | SG32P345-30  | 30           | 0.9375        | 1.000           |
| SG32P215-32   | SG32P265-32  | SG32P285-32  | SG32P345-32  | 32           | 1.0000        | 1.063           |
| SG32P215-35   | SG32P265-35  | SG32P285-35  | SG32P345-35  | 35           | 1.0938        | 1.156           |
| SG32P215-36   | SG32P265-36  | SG32P285-36  | SG32P345-36  | 36           | 1.1250        | 1.188           |
| SG32P215-40   | SG32P265-40  | SG32P285-40  | SG32P345-40  | 40           | 1.2500        | 1.313           |
| SG32P215-45   | SG32P265-45  | SG32P285-45  | SG32P345-45  | 45           | 1.4063        | 1.469           |
| SG32P215-48   | SG32P265-48  | SG32P285-48  | SG32P345-48  | 48           | 1.5000        | 1.563           |
| SG32P215-50   | SG32P265-50  | SG32P285-50  | SG32P345-50  | 50           | 1.5625        | 1.625           |
| SG32P215-52   | SG32P265-52  | SG32P285-52  | SG32P345-52  | 52           | 1.6250        | 1.688           |
| SG32P215-55   | SG32P265-55  | SG32P285-55  | SG32P345-55  | 55           | 1.7188        | 1.781           |
| SG32P215-56   | SG32P265-56  | SG32P285-56  | SG32P345-56  | 56           | 1.7500        | 1.813           |

▲ Teeth cut into hub. Hub diameter may equal O.D.

Continued on next page

**Materials:**

Aluminum - Anodized, 303 Stainless Steel

**On Request:**

14-1/2° Pressure Angle - additional number of teeth.

Customized or custom versions can be produced with accurate deliveries. Please call us with your needs.

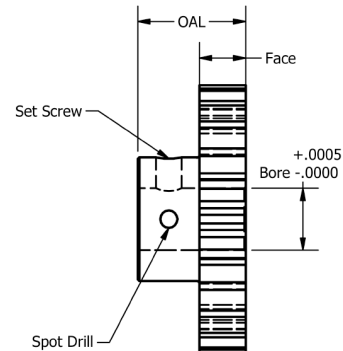
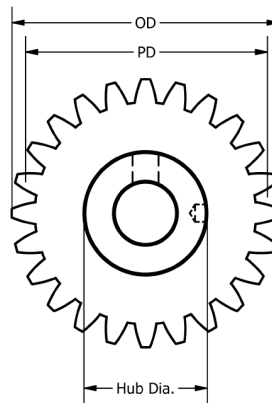
**SGP-A/S**  
**32 Pitch**

# GEARS

**SGP-A/S**  
**32 Pitch**

## 32 Pitch Precision Spur Gears - Set Screw Hub

Aluminum, Stainless Steel, AGMA Quality 10, 20° Pressure Angle



| Part Number   |  |  |  | No. of Teeth | Pitch Dia. PD | Outside Dia. OD |
|---|--|--|--|--------------|---------------|-----------------|
| 303 Stainless Steel   |  |  |  |              |               |                 |
| 0.1873 Bore<br>3/16" Face<br>3/8" HD<br>13/32" OAL<br>#4-40 Screw | 0.2498 Bore<br>1/8" Face<br>1/2" HD<br>3/8" OAL<br>#6-32 Screw | 0.2498 Bore<br>3/16" Face<br>1/2" HD<br>7/16" OAL<br>#6-32 Screw | 0.3750 Bore<br>3/8" Face<br>3/4" HD<br>3/4" OAL<br>#10-32" Screw |              |               |                 |
| SG32P215-60   | SG32P265-60  | SG32P285-60  | SG32P345-60  | 60           | 1.8750        | 1.937           |
| SG32P215-64   | SG32P265-64  | SG32P285-64  | SG32P345-64  | 64           | 2.0000        | 2.062           |
| SG32P215-65   | SG32P265-65  | SG32P285-65  | SG32P345-65  | 65           | 2.0313        | 2.093           |
| SG32P215-68   | SG32P265-68  | SG32P285-68  | SG32P345-68  | 68           | 2.1250        | 2.187           |
| SG32P215-70   | SG32P265-70  | SG32P285-70  | SG32P345-70  | 70           | 2.1875        | 2.250           |
| SG32P215-72   | SG32P265-72  | SG32P285-72  | SG32P345-72  | 72           | 2.2500        | 2.312           |
| SG32P215-75   | SG32P265-75  | SG32P285-75  | SG32P345-75  | 75           | 2.3438        | 2.406           |
| SG32P215-80   | SG32P265-80  | SG32P285-80  | SG32P345-80  | 80           | 2.5000        | 2.562           |
| SG32P215-84   | SG32P265-84  | SG32P285-84  | SG32P345-84  | 84           | 2.6250        | 2.687           |
| SG32P215-85   | SG32P265-85  | SG32P285-85  | SG32P345-85  | 85           | 2.6563        | 2.718           |
| SG32P215-88   | SG32P265-88  | SG32P285-88  | SG32P345-88  | 88           | 2.7500        | 2.812           |
| SG32P215-90   | SG32P265-90  | SG32P285-90  | SG32P345-90  | 90           | 2.8125        | 2.875           |
| SG32P215-92   | SG32P265-92  | SG32P285-92  | SG32P345-92  | 92           | 2.8750        | 2.937           |
| SG32P215-95   | SG32P265-95  | SG32P285-95  | SG32P345-95  | 95           | 2.9688        | 3.031           |
| SG32P215-96   | SG32P265-96  | SG32P285-96  | SG32P345-96  | 96           | 3.0000        | 3.062           |
| SG32P215-100  | SG32P265-100   | SG32P285-100   | SG32P345-100   | 100          | 3.1250        | 3.187           |
| SG32P215-104  | SG32P265-104   | SG32P285-104   | SG32P345-104   | 104          | 3.2500        | 3.312           |
| SG32P215-108  | SG32P265-108   | SG32P285-108   | SG32P345-108   | 108          | 3.3750        | 3.437           |
| SG32P215-112  | SG32P265-112   | SG32P285-112   | SG32P345-112   | 112          | 3.5000        | 3.562           |
| SG32P215-116  | SG32P265-116   | SG32P285-116   | SG32P345-116   | 116          | 3.6250        | 3.687           |
| SG32P215-120  | SG32P265-120   | SG32P285-120   | SG32P345-120   | 120          | 3.7500        | 3.812           |
| SG32P215-128  | SG32P265-128   | SG32P285-128   | SG32P345-128   | 128          | 4.0000        | 4.062           |

▲ Teeth cut into hub. Hub diameter may equal O.D.

**Materials:**

Aluminum - Anodized, 303 Stainless Steel

**On Request:**

14-1/2° Pressure Angle - additional number of teeth.

Customized or custom versions can be produced with accurate deliveries. Please call us with your needs.

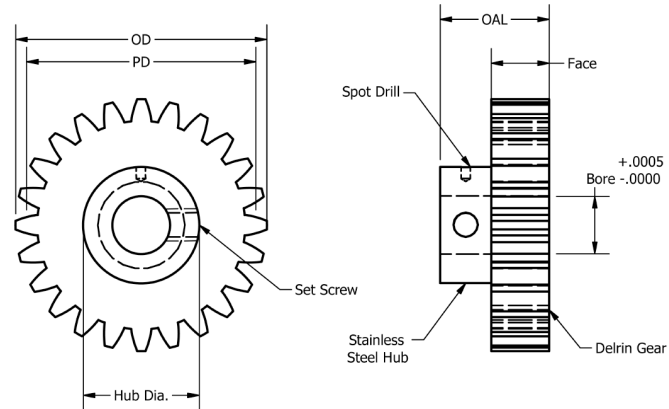
**SGP-XD**  
**32 Pitch**

# GEARS

**SGP-XD**  
**32 Pitch**

## 32 Pitch Precision Spur Gears - Set Screw Hub

Delrin with 303 Stainless Hub, AGMA Quality 10, 20° Pressure Angle



| Part Number  |  | No. of Teeth | Pitch Dia. PD | Outside Dia. OD |
|--|--|--------------|---------------|-----------------|
| Delrin Gear with 303 Stainless Hub                               |  |              |               |                 |
| 0.1873 Bore<br>3/16" Face<br>1/2" HD<br>7/16" OAL<br>#6-32 Screw | 0.2498 Bore<br>3/16" Face<br>1/2" HD<br>7/16" OAL<br>#6-32 Screw |              |               |                 |
| SG32P21XD-20   | SG32P28XD-20   | 20           | 0.6250        | 0.688           |
| SG32P21XD-22   | SG32P28XD-22   | 22           | 0.6875        | 0.750           |
| SG32P21XD-24   | SG32P28XD-24   | 24           | 0.7500        | 0.813           |
| SG32P21XD-25   | SG32P28XD-25   | 25           | 0.7813        | 0.844           |
| SG32P21XD-26   | SG32P28XD-26   | 26           | 0.8125        | 0.875           |
| SG32P21XD-28   | SG32P28XD-28   | 28           | 0.8750        | 0.938           |
| SG32P21XD-30   | SG32P28XD-30   | 30           | 0.9375        | 1.000           |
| SG32P21XD-32   | SG32P28XD-32   | 32           | 1.0000        | 1.063           |
| SG32P21XD-35   | SG32P28XD-35   | 35           | 1.0938        | 1.156           |
| SG32P21XD-36   | SG32P28XD-36   | 36           | 1.1250        | 1.188           |
| SG32P21XD-40   | SG32P28XD-40   | 40           | 1.2500        | 1.313           |
| SG32P21XD-42   | SG32P28XD-42   | 42           | 1.3125        | 1.375           |
| SG32P21XD-44   | SG32P28XD-44   | 44           | 1.3750        | 1.438           |
| SG32P21XD-45   | SG32P28XD-45   | 45           | 1.4062        | 1.469           |
| SG32P21XD-50   | SG32P28XD-50   | 50           | 1.5625        | 1.625           |
| SG32P21XD-52   | SG32P28XD-52   | 52           | 1.6250        | 1.688           |
| SG32P21XD-56   | SG32P28XD-56   | 56           | 1.7500        | 1.813           |
| SG32P21XD-60   | SG32P28XD-60   | 60           | 1.8750        | 1.938           |
| SG32P21XD-64   | SG32P28XD-64   | 64           | 2.0000        | 2.063           |
| SG32P21XD-72   | SG32P28XD-72   | 72           | 2.2500        | 2.313           |
| SG32P21XD-80   | SG32P28XD-80   | 80           | 2.5000        | 2.563           |
| SG32P21XD-88   | SG32P28XD-88   | 88           | 2.7500        | 2.813           |
| SG32P21XD-96   | SG32P28XD-96   | 96           | 3.0000        | 3.063           |
| SG32P21XD-112  | SG32P28XD-112  | 112          | 3.5000        | 3.563           |

**Materials:**

Aluminum - Anodized, 303 Stainless Steel

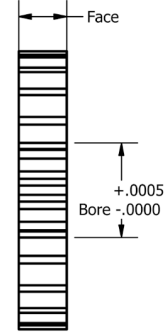
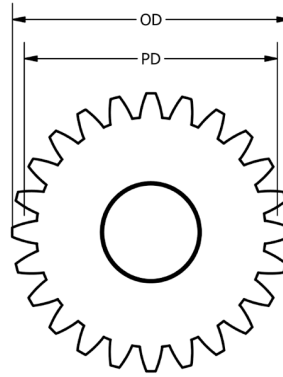
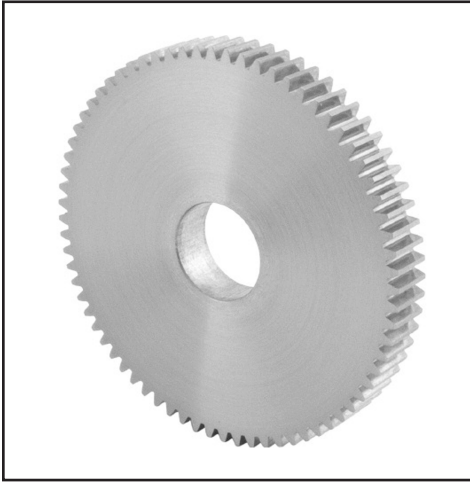
**On Request:**

14-1/2° Pressure Angle - additional number of teeth.

Customized or custom versions can be produced with accurate deliveries. Please call us with your needs.

## 32 Pitch Precision Spur Gears - Flat

Aluminum, Stainless Steel, Delrin, AGMA Quality 10, 20° Pressure Angle



| Part Number               |                           |                           |                           |                           | No. of Teeth | Pitch Dia. PD | Outside Dia. OD |
|---------------------------|---------------------------|---------------------------|---------------------------|---------------------------|--------------|---------------|-----------------|
| Aluminum                  |                           | Stainless Steel           |                           | Delrin                    |              |               |                 |
| 0.3748 Bore<br>0.125 Face | 0.3748 Bore<br>0.250 Face | 0.3748 Bore<br>0.125 Face | 0.3748 Bore<br>0.250 Face | 0.3748 Bore<br>0.187 Face |              |               |                 |
| SG32F3A-20                | ---                       | SG32F3S-20                | ---                       | SG32F5D-20                | 20           | 0.6250        | 0.688           |
| SG32F3A-24                | ---                       | SG32F3S-24                | ---                       | SG32F5D-24                | 24           | 0.7500        | 0.813           |
| SG32F3A-26                | ---                       | SG32F3S-26                | ---                       | SG32F5D-26                | 26           | 0.8125        | 0.875           |
| SG32F3A-28                | ---                       | SG32F3S-28                | ---                       | SG32F5D-28                | 28           | 0.8750        | 0.938           |
| SG32F3A-30                | ---                       | SG32F3S-30                | ---                       | SG32F5D-30                | 30           | 0.9375        | 1.000           |
| SG32F3A-32                | SG32F6A-32                | SG32F3S-32                | SG32F6S-32                | SG32F5D-32                | 32           | 1.0000        | 1.063           |
| SG32F3A-35                | SG32F6A-35                | SG32F3S-35                | SG32F6S-35                | SG32F5D-35                | 35           | 1.0938        | 1.156           |
| SG32F3A-36                | SG32F6A-36                | SG32F3S-36                | SG32F6S-36                | SG32F5D-36                | 36           | 1.1250        | 1.188           |
| SG32F3A-40                | SG32F6A-40                | SG32F3S-40                | SG32F6S-40                | SG32F5D-40                | 40           | 1.2500        | 1.313           |
| SG32F3A-45                | SG32F6A-45                | SG32F3S-45                | SG32F6S-45                | SG32F5D-45                | 45           | 1.4063        | 1.469           |
| SG32F3A-48                | SG32F6A-48                | SG32F3S-48                | SG32F6S-48                | SG32F5D-48                | 48           | 1.5000        | 1.563           |
| SG32F3A-50                | SG32F6A-50                | SG32F3S-50                | SG32F6S-50                | SG32F5D-50                | 50           | 1.5625        | 1.625           |
| SG32F3A-52                | SG32F6A-52                | SG32F3S-52                | SG32F6S-52                | SG32F5D-52                | 52           | 1.6250        | 1.688           |
| SG32F3A-55                | SG32F6A-55                | SG32F3S-55                | SG32F6S-55                | SG32F5D-55                | 55           | 1.7188        | 1.781           |
| SG32F3A-56                | SG32F6A-56                | SG32F3S-56                | SG32F6S-56                | SG32F5D-56                | 56           | 1.7500        | 1.813           |
| SG32F3A-60                | SG32F6A-60                | SG32F3S-60                | SG32F6S-60                | SG32F5D-60                | 60           | 1.8750        | 1.938           |
| SG32F3A-64                | SG32F6A-64                | SG32F3S-64                | SG32F6S-64                | SG32F5D-64                | 64           | 2.0000        | 2.063           |
| SG32F3A-65                | SG32F6A-65                | SG32F3S-65                | SG32F6S-65                | SG32F5D-65                | 65           | 2.0313        | 2.094           |
| SG32F3A-68                | SG32F6A-68                | SG32F3S-68                | SG32F6S-68                | SG32F5D-68                | 68           | 2.1250        | 2.188           |

Continued on next page

**Materials:**

Aluminum - Anodized, 303 Stainless Steel, Delrin

**On Request:**

14-1/2° Pressure Angle - additional number of teeth.

Customized or custom versions can be produced with accurate deliveries.  
Please call us with your needs.

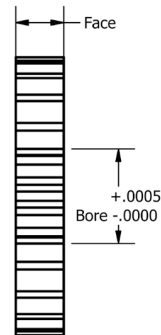
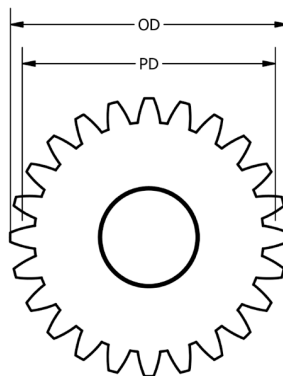
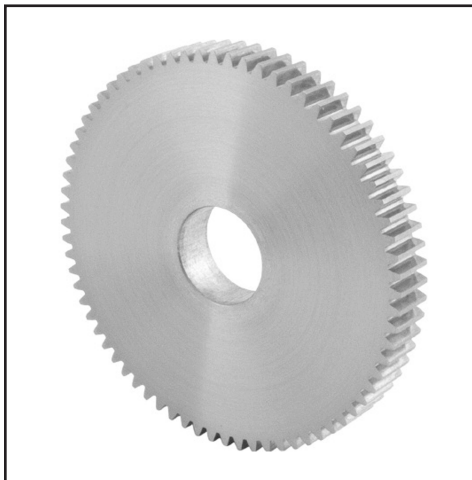
**SGF-A/S/D**  
**32 Pitch**

# GEARS

**SGF-A/S/D**  
**32 Pitch**

## 32 Pitch Precision Spur Gears - Flat

Aluminum, Stainless Steel, Delrin, AGMA Quality 10, 20° Pressure Angle



| Part Number               |                           |                           |                           |                           | No. of Teeth | Pitch Dia. PD | Outside Dia. OD |
|---------------------------|---------------------------|---------------------------|---------------------------|---------------------------|--------------|---------------|-----------------|
| Aluminum                  |                           | Stainless Steel           |                           | Delrin                    |              |               |                 |
| 0.3748 Bore<br>0.125 Face | 0.3748 Bore<br>0.250 Face | 0.3748 Bore<br>0.125 Face | 0.3748 Bore<br>0.250 Face | 0.3748 Bore<br>0.187 Face |              |               |                 |
| SG32F3A-70                | SG32F6A-70                | SG32F3S-70                | SG32F6S-70                | SG32F5D-70                | 70           | 2.1875        | 2.250           |
| SG32F3A-72                | SG32F6A-72                | SG32F3S-72                | SG32F6S-72                | SG32F5D-72                | 72           | 2.2500        | 2.313           |
| SG32F3A-75                | SG32F6A-75                | SG32F3S-75                | SG32F6S-75                | SG32F5D-75                | 75           | 2.3438        | 2.406           |
| SG32F3A-80                | SG32F6A-80                | SG32F3S-80                | SG32F6S-80                | SG32F5D-80                | 80           | 2.5000        | 2.563           |
| SG32F3A-84                | SG32F6A-84                | SG32F3S-84                | SG32F6S-84                | SG32F5D-84                | 84           | 2.6250        | 2.688           |
| SG32F3A-85                | SG32F6A-85                | SG32F3S-85                | SG32F6S-85                | SG32F5D-85                | 85           | 2.6563        | 2.719           |
| SG32F3A-88                | SG32F6A-88                | SG32F3S-88                | SG32F6S-88                | SG32F5D-88                | 88           | 2.7500        | 2.813           |
| SG32F3A-90                | SG32F6A-90                | SG32F3S-90                | SG32F6S-90                | SG32F5D-90                | 90           | 2.8125        | 2.875           |
| SG32F3A-92                | SG32F6A-92                | SG32F3S-92                | SG32F6S-92                | SG32F5D-92                | 92           | 2.8750        | 2.938           |
| SG32F3A-95                | SG32F6A-95                | SG32F3S-95                | SG32F6S-95                | SG32F5D-95                | 95           | 2.9688        | 3.031           |
| SG32F3A-96                | SG32F6A-96                | SG32F3S-96                | SG32F6S-96                | SG32F5D-96                | 96           | 3.0000        | 3.063           |
| SG32F3A-100               | SG32F6A-100               | SG32F3S-100               | SG32F6S-100               | SG32F5D-100               | 100          | 3.1250        | 3.188           |
| SG32F3A-104               | SG32F6A-104               | SG32F3S-104               | SG32F6S-104               | SG32F5D-104               | 104          | 3.2500        | 3.313           |
| SG32F3A-108               | SG32F6A-108               | SG32F3S-108               | SG32F6S-108               | SG32F5D-108               | 108          | 3.3750        | 3.438           |
| SG32F3A-112               | SG32F6A-112               | SG32F3S-112               | SG32F6S-112               | SG32F5D-112               | 112          | 3.5000        | 3.563           |
| SG32F3A-116               | SG32F6A-116               | SG32F3S-116               | SG32F6S-116               | SG32F5D-116               | 116          | 3.6250        | 3.688           |
| SG32F3A-120               | SG32F6A-120               | SG32F3S-120               | SG32F6S-120               | SG32F5D-120               | 120          | 3.7500        | 3.813           |
| SG32F3A-128               | SG32F6A-128               | SG32F3S-128               | SG32F6S-128               | ---                       | 128          | 4.0000        | 4.063           |
| SG32F3A-132               | SG32F6A-132               | SG32F3S-132               | SG32F6S-132               | ---                       | 132          | 4.1250        | 4.188           |

**Materials:**

Aluminum - Anodized, 303 Stainless Steel, Delrin

**On Request:**

14-1/2° Pressure Angle - additional number of teeth.

Customized or custom versions can be produced with accurate deliveries. Please call us with your needs.



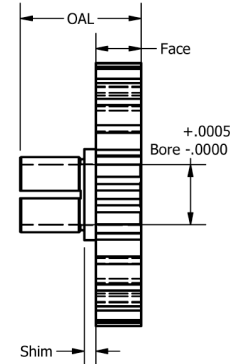
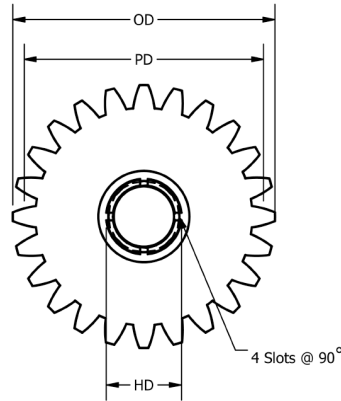
**SGC-A/S**  
**32 Pitch**

# GEARS

**SGC-A/S**  
**32 Pitch**

## 32 Pitch Precision Spur Gears - Split Hub

Aluminum, Stainless Steel, AGMA Quality 10, 20° Pressure Angle



| Part Number   |   |   | No. of Teeth | Pitch Dia. PD | Outside Dia. OD |
|---|---|---|--------------|---------------|-----------------|
| Aluminum  | Stainless Steel   |   |              |               |                 |
| 0.2498 Bore<br>0.125 Face<br>0.312 HD<br>0.406 OAL<br>SH1-2825.313S Clamp | 0.2498 Bore<br>0.125 Face<br>0.312 HD<br>0.406 OAL<br>SH1-2825.313S Clamp | 0.2498 Bore<br>0.187 Face<br>0.312 HD<br>0.500 OAL<br>SH1-2825.313S Clamp |              |               |                 |
| SG32C18A-14   | SG32C18S-14   | SG32C20S-14   | 14           | 0.4375        | 0.500           |
| SG32C18A-15   | SG32C18S-15   | SG32C20S-15   | 15           | 0.4688        | 0.531           |
| SG32C18A-16   | SG32C18S-16   | SG32C20S-16   | 16           | 0.5000        | 0.563           |
| SG32C18A-17   | SG32C18S-17   | SG32C20S-17   | 17           | 0.5313        | 0.594           |
| SG32C18A-18   | SG32C18S-18   | SG32C20S-18   | 18           | 0.5625        | 0.625           |
| SG32C18A-19   | SG32C18S-19   | SG32C20S-19   | 19           | 0.5938        | 0.656           |
| SG32C18A-20   | SG32C18S-20   | SG32C20S-20   | 20           | 0.6250        | 0.688           |
| SG32C18A-22   | SG32C18S-22   | SG32C20S-22   | 22           | 0.6875        | 0.750           |
| SG32C18A-24   | SG32C18S-24   | SG32C20S-24   | 24           | 0.7500        | 0.813           |
| SG32C18A-25   | SG32C18S-25   | SG32C20S-25   | 25           | 0.7813        | 0.844           |
| SG32C18A-26   | SG32C18S-26   | SG32C20S-26   | 26           | 0.8125        | 0.875           |
| SG32C18A-28   | SG32C18S-28   | SG32C20S-28   | 28           | 0.8750        | 0.938           |
| SG32C18A-30   | SG32C18S-30   | SG32C20S-30   | 30           | 0.9375        | 1.000           |
| SG32C18A-32   | SG32C18S-32   | SG32C20S-32   | 32           | 1.0000        | 1.063           |
| SG32C18A-34   | SG32C18S-34   | SG32C20S-34   | 34           | 1.0625        | 1.125           |
| SG32C18A-36   | SG32C18S-36   | SG32C20S-36   | 36           | 1.1250        | 1.188           |
| SG32C18A-38   | SG32C18S-38   | SG32C20S-38   | 38           | 1.1875        | 1.250           |
| SG32C18A-40   | SG32C18S-40   | SG32C20S-40   | 40           | 1.2500        | 1.313           |
| SG32C18A-45   | SG32C18S-45   | SG32C20S-45   | 45           | 1.4063        | 1.469           |

Continued on next page

**Materials:**

Aluminum - Anodized, 303 Stainless Steel

**On Request:**

14-1/2° Pressure Angle - additional number of teeth.

Customized or custom versions can be produced with accurate deliveries. Please call us with your needs.



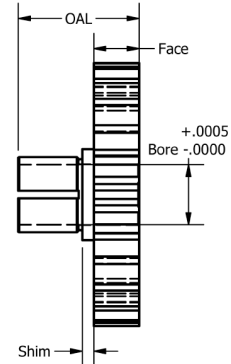
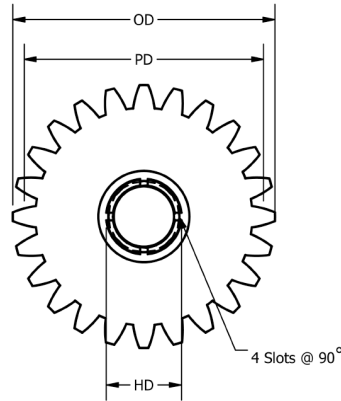
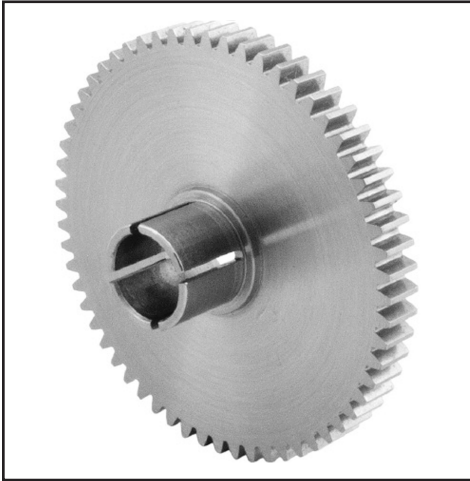
**SGC-A/S**  
**32 Pitch**

# GEARS

**SGC-A/S**  
**32 Pitch**

## 32 Pitch Precision Spur Gears - Split Hub

Aluminum, Stainless Steel, AGMA Quality 10, 20° Pressure Angle



| Part Number   |   |   | No. of Teeth | Pitch Dia. PD | Outside Dia. OD |
|---|---|---|--------------|---------------|-----------------|
| Aluminum  | Stainless Steel   |   |              |               |                 |
| 0.2498 Bore<br>0.125 Face<br>0.312 HD<br>0.406 OAL<br>SH1-2825.313S Clamp | 0.2498 Bore<br>0.125 Face<br>0.312 HD<br>0.406 OAL<br>SH1-2825.313S Clamp | 0.2498 Bore<br>0.187 Face<br>0.312 HD<br>0.500 OAL<br>SH1-2825.313S Clamp |              |               |                 |
| SG32C18A-48   | SG32C18S-48   | SG32C20S-48   | 48           | 1.5000        | 1.563           |
| SG32C18A-50   | SG32C18S-50   | SG32C20S-50   | 50           | 1.5625        | 1.625           |
| SG32C18A-54   | SG32C18S-54   | SG32C20S-54   | 54           | 1.6875        | 1.750           |
| SG32C18A-55   | SG32C18S-55   | SG32C20S-55   | 55           | 1.7188        | 1.781           |
| SG32C18A-56   | SG32C18S-56   | SG32C20S-56   | 56           | 1.7500        | 1.813           |
| SG32C18A-60   | SG32C18S-60   | SG32C20S-60   | 60           | 1.8750        | 1.938           |
| SG32C18A-64   | SG32C18S-64   | SG32C20S-64   | 64           | 2.0000        | 2.063           |
| SG32C18A-65   | SG32C18S-65   | SG32C20S-65   | 65           | 2.0313        | 2.094           |
| SG32C18A-68   | SG32C18S-68   | SG32C20S-68   | 68           | 2.1250        | 2.188           |
| SG32C18A-70   | SG32C18S-70   | SG32C20S-70   | 70           | 2.1875        | 2.250           |
| SG32C18A-72   | SG32C18S-72   | SG32C20S-72   | 72           | 2.2500        | 2.313           |
| SG32C18A-76   | SG32C18S-76   | SG32C20S-76   | 76           | 2.3750        | 2.438           |
| SG32C18A-80   | SG32C18S-80   | SG32C20S-80   | 80           | 2.5000        | 2.563           |
| SG32C18A-88   | SG32C18S-88   | SG32C20S-88   | 88           | 2.7500        | 2.813           |
| SG32C18A-90   | SG32C18S-90   | SG32C20S-90   | 90           | 2.8125        | 2.875           |
| SG32C18A-96   | SG32C18S-96   | SG32C20S-96   | 96           | 3.0000        | 3.063           |
| SG32C18A-112  | SG32C18S-112  | SG32C20S-112  | 112          | 3.5000        | 3.563           |
| SG32C18A-128  | SG32C18S-128  | SG32C20S-128  | 128          | 4.0000        | 4.063           |
| SG32C18A-132  | SG32C18S-132  | SG32C20S-132  | 132          | 4.1250        | 4.188           |

**Materials:**

Aluminum - Anodized, 303 Stainless Steel

**On Request:**

14-1/2° Pressure Angle - additional number of teeth.

Customized or custom versions can be produced with accurate deliveries. Please call us with your needs.