

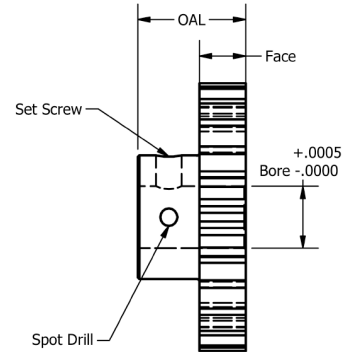
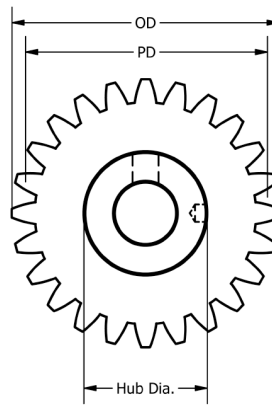
**SGP-A**  
80 Pitch

# GEARS

**SGP-A**  
80 Pitch

## 80 Pitch Precision Spur Gears - Set Screw Hub

Aluminum - Anodized, AGMA Quality 10, 20° Pressure Angle



Part Number					No. of Teeth	Pitch Dia. PD	Outside Dia. OD
0.1248 Bore 0.125 Face 0.313 HD 0.313 OAL #2-56 Screw	0.1873 Bore 0.125 Face 0.375 HD 0.344 OAL #4-40 Screw	0.1873 Bore 0.188 Face 0.375 HD 0.406 OAL #4-40 Screw	0.2498 Bore 0.125 Face 0.500 HD 0.375 OAL #6-32 Screw	0.2498 Bore 0.188 Face 0.500 HD 0.438 OAL #6-32 Screw			
SG80P10A-24 ▲	---	---	---	---	24	0.3000	0.325
SG80P10A-25 ▲	---	---	---	---	25	0.3125	0.338
SG80P10A-26 ▲	SG80P19A-26 ▲	SG80P21A-26 ▲	---	---	26	0.3250	0.350
SG80P10A-27	SG80P19A-27 ▲	SG80P21A-27 ▲	---	---	27	0.3375	0.363
SG80P10A-28	SG80P19A-28 ▲	SG80P21A-28 ▲	---	---	28	0.3500	0.375
SG80P10A-30	SG80P19A-30 ▲	SG80P21A-30 ▲	---	---	30	0.3750	0.400
SG80P10A-32	SG80P19A-32	SG80P21A-32	---	---	32	0.4000	0.425
SG80P10A-35	SG80P19A-35	SG80P21A-35	---	---	35	0.4375	0.463
SG80P10A-36	SG80P19A-36	SG80P21A-36	SG80P26A-36 ▲	SG80P28A-36 ▲	36	0.4500	0.475
SG80P10A-40	SG80P19A-40	SG80P21A-40	SG80P26A-40 ▲	SG80P28A-40 ▲	40	0.5000	0.525
SG80P10A-42	SG80P19A-42	SG80P21A-42	SG80P26A-42	SG80P28A-42	42	0.5250	0.550
SG80P10A-44	SG80P19A-44	SG80P21A-44	SG80P26A-44	SG80P28A-44	44	0.5500	0.575
SG80P10A-45	SG80P19A-45	SG80P21A-45	SG80P26A-45	SG80P28A-45	45	0.5625	0.588
SG80P10A-48	SG80P19A-48	SG80P21A-48	SG80P26A-48	SG80P28A-48	48	0.6000	0.625
SG80P10A-50	SG80P19A-50	SG80P21A-50	SG80P26A-50	SG80P28A-50	50	0.6250	0.650
SG80P10A-55	SG80P19A-55	SG80P21A-55	SG80P26A-55	SG80P28A-55	55	0.6875	0.713
SG80P10A-56	SG80P19A-56	SG80P21A-56	SG80P26A-56	SG80P28A-56	56	0.7000	0.725
SG80P10A-60	SG80P19A-60	SG80P21A-60	SG80P26A-60	SG80P28A-60	60	0.7500	0.775
SG80P10A-64	SG80P19A-64	SG80P21A-64	SG80P26A-64	SG80P28A-64	64	0.8000	0.825
SG80P10A-65	SG80P19A-65	SG80P21A-65	SG80P26A-65	SG80P28A-65	65	0.8125	0.838
SG80P10A-70	SG80P19A-70	SG80P21A-70	SG80P26A-70	SG80P28A-70	70	0.8750	0.900
SG80P10A-72	SG80P19A-72	SG80P21A-72	SG80P26A-72	SG80P28A-72	72	0.9000	0.925
SG80P10A-75	SG80P19A-75	SG80P21A-75	SG80P26A-75	SG80P28A-75	75	0.9375	0.963
SG80P10A-80	SG80P19A-80	SG80P21A-80	SG80P26A-80	SG80P28A-80	80	1.0000	1.025
SG80P10A-88	SG80P19A-88	SG80P21A-88	SG80P26A-88	SG80P28A-88	88	1.1000	1.125
SG80P10A-90	SG80P19A-90	SG80P21A-90	SG80P26A-90	SG80P28A-90	90	1.1250	1.150
SG80P10A-96	SG80P19A-96	SG80P21A-96	SG80P26A-96	SG80P28A-96	96	1.2000	1.225
SG80P10A-100	SG80P19A-100	SG80P21A-100	SG80P26A-100	SG80P28A-100	100	1.2500	1.275
SG80P10A-110	SG80P19A-110	SG80P21A-110	SG80P26A-110	SG80P28A-110	110	1.3750	1.400
SG80P10A-120	SG80P19A-120	SG80P21A-120	SG80P26A-120	SG80P28A-120	120	1.5000	1.525
SG80P10A-130	SG80P19A-130	SG80P21A-130	SG80P26A-130	SG80P28A-130	130	1.6250	1.650
SG80P10A-140	SG80P19A-140	SG80P21A-140	SG80P26A-140	SG80P28A-140	140	1.7500	1.775
SG80P10A-150	SG80P19A-150	SG80P21A-150	SG80P26A-150	SG80P28A-150	150	1.8750	1.900

▲Teeth cut into hub. Hub diameter may equal O.D.

**Materials:**

Aluminum - anodized

**On Request:**

14-1/2° Pressure Angle - additional number of teeth.

Customized or custom versions can be produced with accurate deliveries.

Please call us with your needs.

**ondrives.us**

☎ 1-888-260-7466

📠 516-771-6444

💻 sales@ondrivesus.com

🌐 www.ondrivesus.com

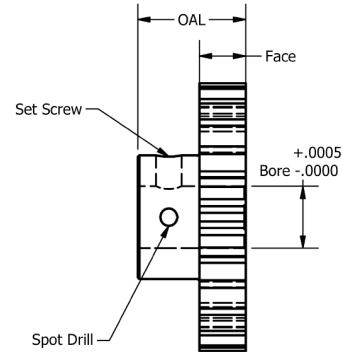
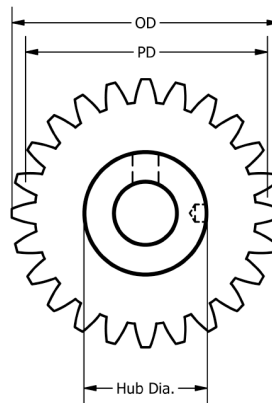
**SGP-S**  
80 Pitch

# GEARS

**SGP-S**  
80 Pitch

## 80 Pitch Precision Spur Gears - Set Screw Hub

303 Stainless Steel, AGMA Quality 10, 20° Pressure Angle



Part Number					No. of Teeth	Pitch Dia. PD	Outside Dia. OD
0.1248 Bore 0.125 Face 0.313 HD 0.313 OAL #2-56 Screw	0.1873 Bore 0.125 Face 0.375 HD 0.344 OAL #4-40 Screw	0.1873 Bore 0.188 Face 0.375 HD 0.406 OAL #4-40 Screw	0.2498 Bore 0.125 Face 0.500 HD 0.375 OAL #6-32 Screw	0.2498 Bore 0.188 Face 0.500 HD 0.438 OAL #6-32 Screw			
SG80P10S-24 ▲	---	---	---	---	24	0.3000	0.325
SG80P10S-25 ▲	---	---	---	---	25	0.3125	0.338
SG80P10S-26 ▲	SG80P19S-26 ▲	SG80P21S-26 ▲	---	---	26	0.3250	0.350
SG80P10S-27	SG80P19S-27 ▲	SG80P21S-27 ▲	---	---	27	0.3375	0.363
SG80P10S-28	SG80P19S-28 ▲	SG80P21S-28 ▲	---	---	28	0.3500	0.375
SG80P10S-30	SG80P19S-30 ▲	SG80P21S-30 ▲	---	---	30	0.3750	0.400
SG80P10S-32	SG80P19S-32	SG80P21S-32	---	---	32	0.4000	0.425
SG80P10S-35	SG80P19S-35	SG80P21S-35	---	---	35	0.4375	0.463
SG80P10S-36	SG80P19S-36	SG80P21S-36	SG80P26S-36 ▲	SG80P28S-36 ▲	36	0.4500	0.475
SG80P10S-40	SG80P19S-40	SG80P21S-40	SG80P26S-40 ▲	SG80P28S-40 ▲	40	0.5000	0.525
SG80P10S-42	SG80P19S-42	SG80P21S-42	SG80P26S-42	SG80P28S-42	42	0.5250	0.550
SG80P10S-44	SG80P19S-44	SG80P21S-44	SG80P26S-44	SG80P28S-44	44	0.5500	0.575
SG80P10S-45	SG80P19S-45	SG80P21S-45	SG80P26S-45	SG80P28S-45	45	0.5625	0.588
SG80P10S-48	SG80P19S-48	SG80P21S-48	SG80P26S-48	SG80P28S-48	48	0.6000	0.625
SG80P10S-50	SG80P19S-50	SG80P21S-50	SG80P26S-50	SG80P28S-50	50	0.6250	0.650
SG80P10S-55	SG80P19S-55	SG80P21S-55	SG80P26S-55	SG80P28S-55	55	0.6875	0.713
SG80P10S-56	SG80P19S-56	SG80P21S-56	SG80P26S-56	SG80P28S-56	56	0.7000	0.725
SG80P10S-60	SG80P19S-60	SG80P21S-60	SG80P26S-60	SG80P28S-60	60	0.7500	0.775
SG80P10S-64	SG80P19S-64	SG80P21S-64	SG80P26S-64	SG80P28S-64	64	0.8000	0.825
SG80P10S-65	SG80P19S-65	SG80P21S-65	SG80P26S-65	SG80P28S-65	65	0.8125	0.838
SG80P10S-70	SG80P19S-70	SG80P21S-70	SG80P26S-70	SG80P28S-70	70	0.8750	0.900
SG80P10S-72	SG80P19S-72	SG80P21S-72	SG80P26S-72	SG80P28S-72	72	0.9000	0.925
SG80P10S-75	SG80P19S-75	SG80P21S-75	SG80P26S-75	SG80P28S-75	75	0.9375	0.963
SG80P10S-80	SG80P19S-80	SG80P21S-80	SG80P26S-80	SG80P28S-80	80	1.0000	1.025
SG80P10S-88	SG80P19S-88	SG80P21S-88	SG80P26S-88	SG80P28S-88	88	1.1000	1.125
SG80P10S-90	SG80P19S-90	SG80P21S-90	SG80P26S-90	SG80P28S-90	90	1.1250	1.150
SG80P10S-96	SG80P19S-96	SG80P21S-96	SG80P26S-96	SG80P28S-96	96	1.2000	1.225
SG80P10S-100	SG80P19S-100	SG80P21S-100	SG80P26S-100	SG80P28S-100	100	1.2500	1.275
SG80P10S-110	SG80P19S-110	SG80P21S-110	SG80P26S-110	SG80P28S-110	110	1.3750	1.400
SG80P10S-120	SG80P19S-120	SG80P21S-120	SG80P26S-120	SG80P28S-120	120	1.5000	1.525
SG80P10S-130	SG80P19S-130	SG80P21S-130	SG80P26S-130	SG80P28S-130	130	1.6250	1.650
SG80P10S-140	SG80P19S-140	SG80P21S-140	SG80P26S-140	SG80P28S-140	140	1.7500	1.775
SG80P10S-150	SG80P19S-150	SG80P21S-150	SG80P26S-150	SG80P28S-150	150	1.8750	1.900

▲ Teeth cut into hub. Hub diameter may equal O.D.

**Materials:**

303 Stainless Steel

**On Request:**

14-1/2° Pressure Angle - additional number of teeth.

Customized or custom versions can be produced with accurate deliveries.

Please call us with your needs.

**ondrives.us**

☎ 1-888-260-7466

📠 516-771-6444

💻 sales@ondrivesus.com

🌐 www.ondrivesus.com

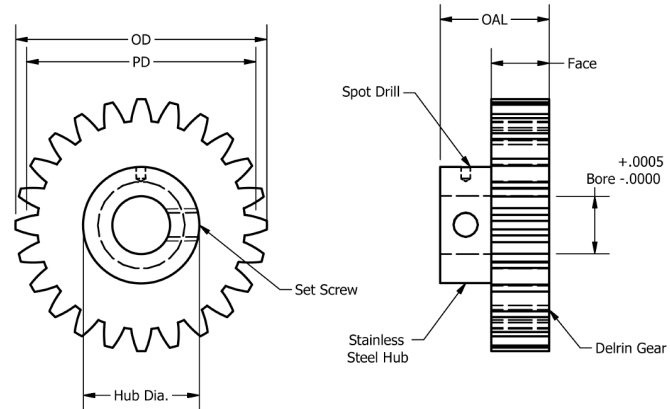
**SGP-XD**  
**80 Pitch**

# GEARS

**SGP-XD**  
**80 Pitch**

## 80 Pitch Precision Spur Gears - Split Hub

Delrin Gear with Stainless Hub, AGMA Quality 10, 20° Pressure Angle



Part Number		No. of Teeth	Pitch Dia. PD	Outside Dia. OD
0.1873 Bore 0.188 Face 0.500 HD 0.438 OAL #6-32 Screw	0.2498 Bore 0.188 Face 0.500 HD 0.438 OAL #6-32 Screw			
SG80P21XD-60	SG80P28XD-60	60	0.7500	0.775
SG80P21XD-64	SG80P28XD-64	64	0.8000	0.825
SG80P21XD-65	SG80P28XD-65	65	0.8125	0.838
SG80P21XD-70	SG80P28XD-70	70	0.8750	0.900
SG80P21XD-72	SG80P28XD-72	72	0.9000	0.925
SG80P21XD-75	SG80P28XD-75	75	0.9375	0.963
SG80P21XD-80	SG80P28XD-80	80	1.0000	1.025
SG80P21XD-88	SG80P28XD-88	88	1.1000	1.125
SG80P21XD-90	SG80P28XD-90	90	1.1250	1.150
SG80P21XD-96	SG80P28XD-96	96	1.2000	1.225
SG80P21XD-100	SG80P28XD-100	100	1.2500	1.275
SG80P21XD-110	SG80P28XD-110	110	1.3750	1.400
SG80P21XD-120	SG80P28XD-120	120	1.5000	1.525
SG80P21XD-130	SG80P28XD-130	130	1.6250	1.650
SG80P21XD-140	SG80P28XD-140	140	1.7500	1.775
SG80P21XD-150	SG80P28XD-150	150	1.8750	1.900
SG80P21XD-160	SG80P28XD-160	160	2.0000	2.025
SG80P21XD-180	SG80P28XD-180	180	2.2500	2.275
SG80P21XD-200	SG80P28XD-200	200	2.5000	2.525
SG80P21XD-240	SG80P28XD-240	240	3.0000	3.025

**Materials:**

Delrin gear with 303 Stainless Steel hub.

**On Request:**

14-1/2° Pressure Angle - additional number of teeth.

Customized or custom versions can be produced with accurate deliveries. Please call us with your needs.

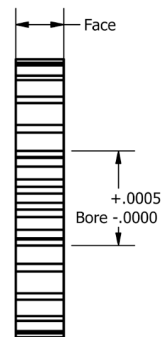
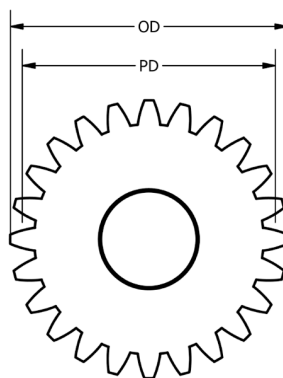
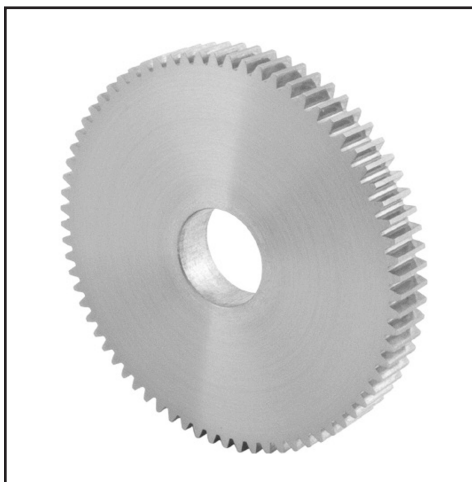
**SGF-A/S/D**  
**80 Pitch**

# GEARS

**SGF-A/S/D**  
**80 Pitch**

## 80 Pitch Precision Spur Gears - Flat

Aluminum, Stainless Steel, Delrin, AGMA Quality 10, 20° Pressure Angle



Part Number			No. of Teeth	Pitch Dia. PD	Outside Dia. OD
Aluminum	Stainless Steel	Delrin			
0.3748 Bore 0.125 Face	0.3748 Bore 0.125 Face	0.3748 Bore 0.187 Face			
SG80F3A-60	SG80F3S-60	SG80F5D-60	60	0.7500	0.775
SG80F3A-64	SG80F3S-64	SG80F5D-64	64	0.8000	0.825
SG80F3A-65	SG80F3S-65	SG80F5D-65	65	0.8125	0.838
SG80F3A-70	SG80F3S-70	SG80F5D-70	70	0.8750	0.900
SG80F3A-72	SG80F3S-72	SG80F5D-72	72	0.9000	0.925
SG80F3A-75	SG80F3S-75	SG80F5D-75	75	0.9375	0.963
SG80F3A-80	SG80F3S-80	SG80F5D-80	80	1.0000	1.025
SG80F3A-88	SG80F3S-88	SG80F5D-88	88	1.1000	1.125
SG80F3A-90	SG80F3S-90	SG80F5D-90	90	1.1250	1.150
SG80F3A-96	SG80F3S-96	SG80F5D-96	96	1.2000	1.225
SG80F3A-100	SG80F3S-100	SG80F5D-100	100	1.2500	1.275
SG80F3A-110	SG80F3S-110	SG80F5D-110	110	1.3750	1.400
SG80F3A-120	SG80F3S-120	SG80F5D-120	120	1.5000	1.525
SG80F3A-130	SG80F3S-130	SG80F5D-130	130	1.6250	1.650
SG80F3A-140	SG80F3S-140	SG80F5D-140	140	1.7500	1.775
SG80F3A-150	SG80F3S-150	SG80F5D-150	150	1.8750	1.900
SG80F3A-160	SG80F3S-160	SG80F5D-160	160	2.0000	2.025
SG80F3A-180	SG80F3S-180	SG80F5D-180	180	2.2500	2.275
SG80F3A-200	SG80F3S-200	SG80F5D-200	200	2.5000	2.525
SG80F3A-240	SG80F3S-240	SG80F5D-240	240	3.0000	3.025

**Materials:**

Aluminum - Anodized, 303 Stainless Steel, Delrin

**On Request:**

14-1/2° Pressure Angle - additional number of teeth.

Customized or custom versions can be produced with accurate deliveries. Please call us with your needs.

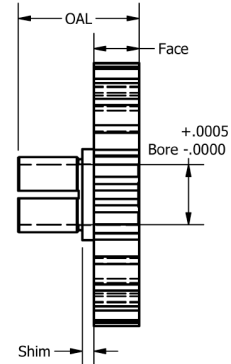
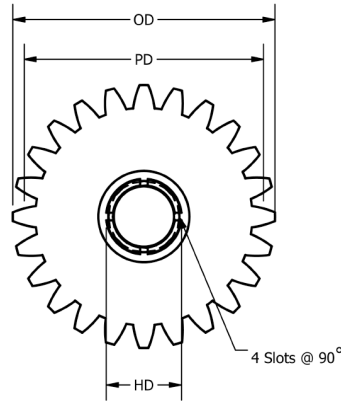
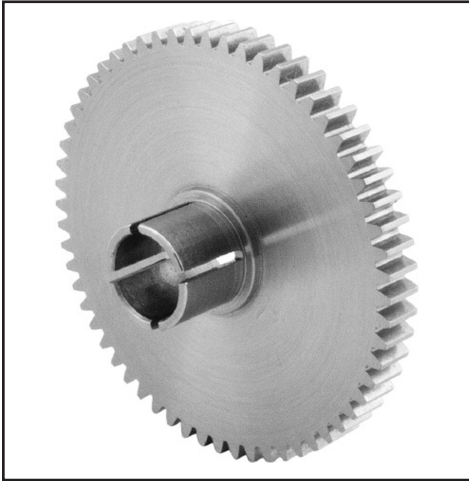
**SGC-A/S**  
**80 Pitch**

# GEARS

**SGC-A/S**  
**80 Pitch**

## 80 Pitch Precision Spur Gears - Split Hub

Aluminum, Stainless Steel, AGMA Quality 10, 20° Pressure Angle



Part Number						No. of Teeth	Pitch Dia. PD	Outside Dia. OD
Aluminum			Stainless Steel					
0.1248 Bore 0.125 Face 0.187 HD 0.406 OAL	0.1873 Bore 0.125 Face 0.250 HD 0.406 OAL	0.2498 Bore 0.125 Face 0.312 HD 0.406 OAL	0.1248 Bore 0.125 Face 0.187 HD 0.406 OAL	0.1873 Bore 0.125 Face 0.250 HD 0.406 OAL	0.2498 Bore 0.125 Face 0.312 HD 0.406 OAL			
SH4-2624.188H Clamp	SH1-2825.250S Clamp	SH1-2825.313S Clamp	SH4-2624.188H Clamp	SH1-2825.250S Clamp	SH1-2825.313S Clamp			
SG80C7A-24	---	---	SG80C7S-24	---	---	24	0.3000	0.325
SG80C7A-25	---	---	SG80C7S-25	---	---	25	0.3125	0.338
SG80C7A-26	---	---	SG80C7S-26	---	---	26	0.3250	0.350
SG80C7A-27	---	---	SG80C7S-27	---	---	27	0.3375	0.363
SG80C7A-28	---	---	SG80C7S-28	---	---	28	0.3500	0.375
SG80C7A-30	SG80C14A-30	---	SG80C7S-30	SG80C14S-30	---	30	0.3750	0.400
SG80C7A-32	SG80C14A-32	---	SG80C7S-32	SG80C14S-32	---	32	0.4000	0.425
SG80C7A-35	SG80C14A-35	SG80C18A-35	SG80C7S-35	SG80C14S-35	SG80C18S-35	35	0.4375	0.463
SG80C7A-36	SG80C14A-36	SG80C18A-36	SG80C7S-36	SG80C14S-36	SG80C18S-36	36	0.4500	0.475
SG80C7A-40	SG80C14A-40	SG80C18A-40	SG80C7S-40	SG80C14S-40	SG80C18S-40	40	0.5000	0.525
SG80C7A-42	SG80C14A-42	SG80C18A-42	SG80C7S-42	SG80C14S-42	SG80C18S-42	42	0.5250	0.550
SG80C7A-44	SG80C14A-44	SG80C18A-44	SG80C7S-44	SG80C14S-44	SG80C18S-44	44	0.5500	0.575
SG80C7A-45	SG80C14A-45	SG80C18A-45	SG80C7S-45	SG80C14S-45	SG80C18S-45	45	0.5625	0.588
SG80C7A-48	SG80C14A-48	SG80C18A-48	SG80C7S-48	SG80C14S-48	SG80C18S-48	48	0.6000	0.625
SG80C7A-50	SG80C14A-50	SG80C18A-50	SG80C7S-50	SG80C14S-50	SG80C18S-50	50	0.6250	0.650
SG80C7A-55	SG80C14A-55	SG80C18A-55	SG80C7S-55	SG80C14S-55	SG80C18S-55	55	0.6875	0.713
SG80C7A-56	SG80C14A-56	SG80C18A-56	SG80C7S-56	SG80C14S-56	SG80C18S-56	56	0.7000	0.725
SG80C7A-60	SG80C14A-60	SG80C18A-60	SG80C7S-60	SG80C14S-60	SG80C18S-60	60	0.7500	0.775
SG80C7A-64	SG80C14A-64	SG80C18A-64	SG80C7S-64	SG80C14S-64	SG80C18S-64	64	0.8000	0.825
SG80C7A-65	SG80C14A-65	SG80C18A-65	SG80C7S-65	SG80C14S-65	SG80C18S-65	65	0.8125	0.838
SG80C7A-70	SG80C14A-70	SG80C18A-70	SG80C7S-70	SG80C14S-70	SG80C18S-70	70	0.8750	0.900
SG80C7A-72	SG80C14A-72	SG80C18A-72	SG80C7S-72	SG80C14S-72	SG80C18S-72	72	0.9000	0.925
SG80C7A-75	SG80C14A-75	SG80C18A-75	SG80C7S-75	SG80C14S-75	SG80C18S-75	75	0.9375	0.963
SG80C7A-80	SG80C14A-80	SG80C18A-80	SG80C7S-80	SG80C14S-80	SG80C18S-80	80	1.0000	1.025
SG80C7A-88	SG80C14A-88	SG80C18A-88	SG80C7S-88	SG80C14S-88	SG80C18S-88	88	1.1000	1.125
SG80C7A-90	SG80C14A-90	SG80C18A-90	SG80C7S-90	SG80C14S-90	SG80C18S-90	90	1.1250	1.150
SG80C7A-96	SG80C14A-96	SG80C18A-96	SG80C7S-96	SG80C14S-96	SG80C18S-96	96	1.2000	1.225
SG80C7A-100	SG80C14A-100	SG80C18A-100	SG80C7S-100	SG80C14S-100	SG80C18S-100	100	1.2500	1.275
---	SG80C14A-110	SG80C18A-110	---	SG80C14S-110	SG80C18S-110	110	1.3750	1.400
---	SG80C14A-120	SG80C18A-120	---	SG80C14S-120	SG80C18S-120	120	1.5000	1.525
---	SG80C14A-130	SG80C18A-130	---	SG80C14S-130	SG80C18S-130	130	1.6250	1.650
---	SG80C14A-140	SG80C18A-140	---	SG80C14S-140	SG80C18S-140	140	1.7500	1.775
---	SG80C14A-150	SG80C18A-150	---	SG80C14S-150	SG80C18S-150	150	1.8750	1.900

**Materials:**

Aluminum - Anodized, 303 Stainless Steel

**On Request:**

14-1/2° Pressure Angle - additional number of teeth.

Customized or custom versions can be produced with accurate deliveries.

Please call us with your needs.

**ondrives.us**

1-888-260-7466

516-771-6444

sales@ondrivesus.com

www.ondrivesus.com