

WG24

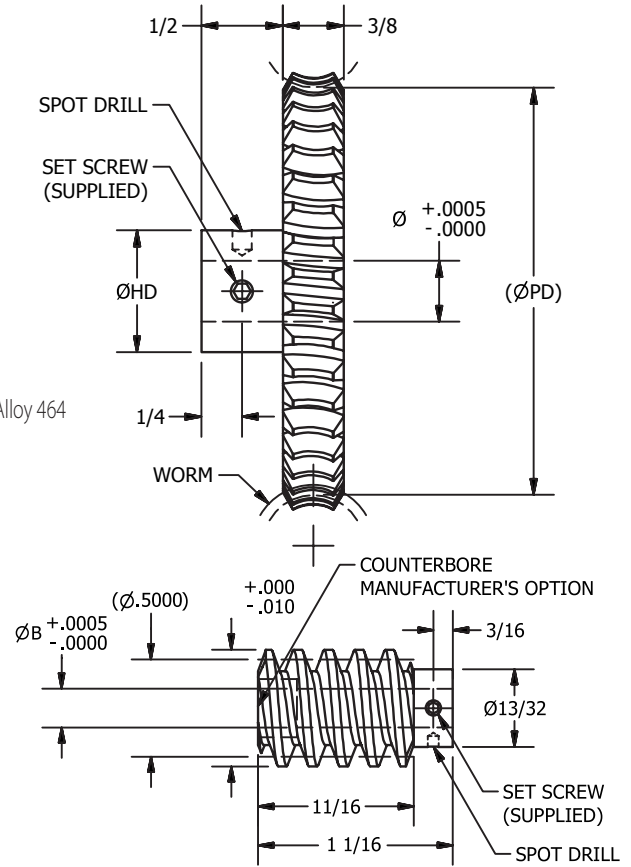
GEARS

Worms & Worm Gears 24 Diametral Pitch

WG24



Materials:
Worm: 303 Stainless Steel
Worm Gear: Bronze QQ-B-637 Alloy 464
Agma Quality: 10



Worm Part Number	# of Starts	Lead	Lead Angle	Pressure Angle	Bore (B)
WG24S-4S	1	0.1309	4° 46'	14.5°	0.2498
WG24S-4D	2	0.2518	9° 28'	20°	0.2498
WG24S-4F	4	0.5236	18° 26'	25°	0.2498

# of Teeth	Pitch Dia. (PD)	Worm Gear Part Number					
20	0.833	WG24P35B-S20	WG24P37B-S20	WG24P35B-D20	WG24P37B-D20	WG24P35B-F20	WG24P37B-F20
30	1.250	WG24P35B-S30	WG24P37B-S30	WG24P35B-D30	WG24P37B-D30	WG24P35B-F30	WG24P37B-F30
40	1.667	WG24P35B-S40	WG24P37B-S40	WG24P35B-D40	WG24P37B-D40	WG24P35B-F40	WG24P37B-F40
50	2.083	WG24P35B-S50	WG24P37B-S50	WG24P35B-D50	WG24P37B-D50	WG24P35B-F50	WG24P37B-F50
60	2.500	WG24P35B-S60	WG24P37B-S60	WG24P35B-D60	WG24P37B-D60	WG24P35B-F60	WG24P37B-F60
72	3.000	WG24P35B-S72	WG24P37B-S72	WG24P35B-D72	WG24P37B-D72	WG24P35B-F72	WG24P37B-F72
80	3.333	WG24P35B-S80	WG24P37B-S80	WG24P35B-D80	WG24P37B-D80	WG24P35B-F80	WG24P37B-F80
96	4.000	WG24P35B-S96	WG24P37B-S96	WG24P35B-D96	WG24P37B-D96	WG24P35B-F96	WG24P37B-F96
100	4.167	WG24P35B-S100	WG24P37B-S100	WG24P35B-D100	WG24P37B-D100	WG24P35B-F100	WG24P37B-F100
# of Starts		1	1	2	2	4	4
Circular Pitch		0.1309	0.1309	0.1309	0.1309	0.1309	0.1309
Helix Angle		4° 46'	4° 46'	9° 28'	9° 28'	18° 26'	18° 26'
Pressure Angle		14.5°	14.5°	20°	20°	25°	25°
Bore (B)		0.3748	0.4998	0.3748	0.4998	0.3748	0.4998
Hub Diameter (HD)		3/4	1	3/4	1	3/4	1