

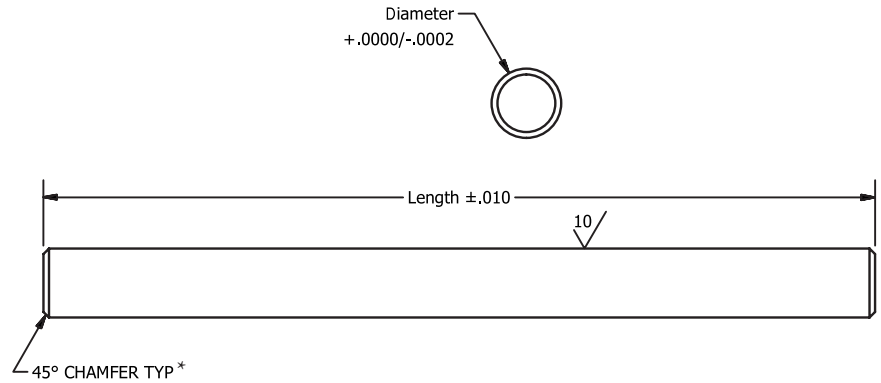
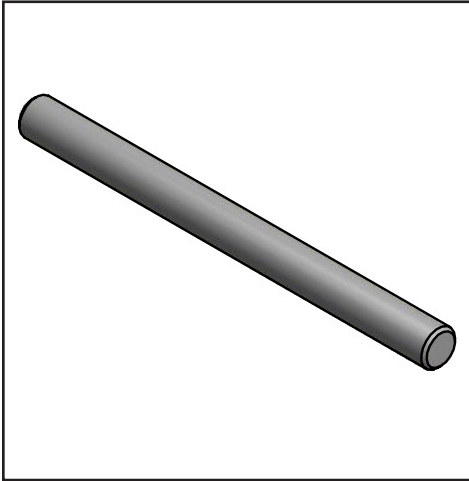
GP

SHAFTS

GP

Precision Ground Shafting

Inch - 17-4 PH RC 40 Stainless Steel

Surface Finish 10 μ in

Rockwell C40-47

*Chamfered both ends

Part Number	Ref.	+0.0000 / -0.0002 Diameter	+/- .010 Length
GP0312-20	1/32"	0.0312	2.00
GP0312-30	1/32"	0.0312	3.00
GP0312-40	1/32"	0.0312	4.00
GP0312-50	1/32"	0.0312	5.00
GP0312-60	1/32"	0.0312	6.00
GP0312-120	1/32"	0.0312	12.00
GP0312-180	1/32"	0.0312	18.00
GP0468-20	3/64"	0.0468	2.00
GP0468-30	3/64"	0.0468	3.00
GP0468-40	3/64"	0.0468	4.00
GP0468-50	3/64"	0.0468	5.00
GP0468-60	3/64"	0.0468	6.00
GP0468-120	3/64"	0.0468	12.00
GP0468-180	3/64"	0.0468	18.00
GP0468-240	3/64"	0.0468	24.00
GP0625-20	1/16"	0.0625	2.00
GP0625-30	1/16"	0.0625	3.00
GP0625-40	1/16"	0.0625	4.00
GP0625-50	1/16"	0.0625	5.00
GP0625-60	1/16"	0.0625	6.00
GP0625-120	1/16"	0.0625	12.00
GP0625-180	1/16"	0.0625	18.00
GP0625-240	1/16"	0.0625	24.00
GP0625-360	1/16"	0.0625	36.00

* Chamfered 1/8" Dia. and larger. Break edge or saw cut below

Part Number	Ref.	+0.0000 / -0.0002 Diameter	+/- .010 Length
GP0781-20	5/64"	0.0781	2.00
GP0781-30	5/64"	0.0781	3.00
GP0781-40	5/64"	0.0781	4.00
GP0781-50	5/64"	0.0781	5.00
GP0781-60	5/64"	0.0781	6.00
GP0781-120	5/64"	0.0781	12.00
GP0781-180	5/64"	0.0781	18.00
GP0781-240	5/64"	0.0781	24.00
GP0781-360	5/64"	0.0781	36.00
GP0937-20	3/32"	0.0937	2.00
GP0937-30	3/32"	0.0937	3.00
GP0937-40	3/32"	0.0937	4.00
GP0937-50	3/32"	0.0937	5.00
GP0937-60	3/32"	0.0937	6.00
GP0937-120	3/32"	0.0937	12.00
GP0937-180	3/32"	0.0937	18.00
GP0937-240	3/32"	0.0937	24.00
GP0937-360	3/32"	0.0937	36.00
GP1250-20	1/8"	0.1250	2.00
GP1250-30	1/8"	0.1250	3.00
GP1250-40	1/8"	0.1250	4.00
GP1250-50	1/8"	0.1250	5.00
GP1250-60	1/8"	0.1250	6.00
GP1250-120	1/8"	0.1250	12.00
GP1250-180	1/8"	0.1250	18.00
GP1250-240	1/8"	0.1250	24.00
GP1250-360	1/8"	0.1250	36.00

Precision ground 17-4 PH Stainless, Hardened to RC40

12 Diameters .0312 to .3750

9 Lengths from 2" to 36"

Chamfered both ends

Straightness: Best efforts under 1/8" Diameter .0004in/in up to 1/4" Dia., .0006in/in over 1/4" Dia.

From stock delivery

Other materials available from stock: 303, 316, 12L14, C1060, 440C

Special sizes and other materials are available, please ask

Customizing: grooves, journals, flats, drill holes, thread + tapped holes, chamfers, special diameters, special lengths

ondrives.us

☎ 1-888-260-7466

💻 sales@ondrivesus.com

📄 516-771-6444

🌐 www.ondrivesus.com

GP

SHAFTS

Precision Ground Shafting

Inch - 17-4 PH RC 40 Stainless Steel

GP

Straightness .0004in/in up to 1/4" Dia., .0006in/in over 1/4" Dia.
Surface Finish 10µin

Rockwell C40-47
*Chamfered both ends

Part Number	Ref.	+ .0000 / - .0002 Diameter	+/- .010 Length
GP1562-20	5/32"	0.1562	2.00
GP1562-30	5/32"	0.1562	3.00
GP1562-40	5/32"	0.1562	4.00
GP1562-50	5/32"	0.1562	5.00
GP1562-60	5/32"	0.1562	6.00
GP1562-120	5/32"	0.1562	12.00
GP1562-180	5/32"	0.1562	18.00
GP1562-240	5/32"	0.1562	24.00
GP1562-360	5/32"	0.1562	36.00
GP1875-20	3/16"	0.1875	2.00
GP1875-30	3/16"	0.1875	3.00
GP1875-40	3/16"	0.1875	4.00
GP1875-50	3/16"	0.1875	5.00
GP1875-60	3/16"	0.1875	6.00
GP1875-120	3/16"	0.1875	12.00
GP1875-180	3/16"	0.1875	18.00
GP1875-240	3/16"	0.1875	24.00
GP1875-360	3/16"	0.1875	36.00
GP2187-20	7/32"	0.2187	2.00
GP2187-30	7/32"	0.2187	3.00
GP2187-40	7/32"	0.2187	4.00
GP2187-50	7/32"	0.2187	5.00
GP2187-60	7/32"	0.2187	6.00
GP2187-120	7/32"	0.2187	12.00
GP2187-180	7/32"	0.2187	18.00
GP2187-240	7/32"	0.2187	24.00
GP2187-360	7/32"	0.2187	36.00

Part Number	Ref.	+ .0000 / - .0002 Diameter	+/- .010 Length
GP2500-20	1/4"	0.2500	2.00
GP2500-30	1/4"	0.2500	3.00
GP2500-40	1/4"	0.2500	4.00
GP2500-50	1/4"	0.2500	5.00
GP2500-60	1/4"	0.2500	6.00
GP2500-120	1/4"	0.2500	12.00
GP2500-180	1/4"	0.2500	18.00
GP2500-240	1/4"	0.2500	24.00
GP2500-360	1/4"	0.2500	36.00
GP3125-20	5/16"	0.3125	2.00
GP3125-30	5/16"	0.3125	3.00
GP3125-40	5/16"	0.3125	4.00
GP3125-50	5/16"	0.3125	5.00
GP3125-60	5/16"	0.3125	6.00
GP3125-120	5/16"	0.3125	12.00
GP3125-180	5/16"	0.3125	18.00
GP3125-240	5/16"	0.3125	24.00
GP3125-360	5/16"	0.3125	36.00
GP3750-20	3/8"	0.3750	2.00
GP3750-30	3/8"	0.3750	3.00
GP3750-40	3/8"	0.3750	4.00
GP3750-50	3/8"	0.3750	5.00
GP3750-60	3/8"	0.3750	6.00
GP3750-120	3/8"	0.3750	12.00
GP3750-180	3/8"	0.3750	18.00
GP3750-240	3/8"	0.3750	24.00
GP3750-360	3/8"	0.3750	36.00

*Chamfered 0.0937" diameter and larger,
Rough cut under 0.0937" diameter

Precision ground 17-4 PH Stainless, Hardened to RC40 12

Diameters .0312 to .3750

9 Lengths from 2" to 36"

Chamfered both ends

Straightness: Best efforts under 1/8" Diameter .0004in/in up to 1/4" Dia., .0006in/in over 1/4" Dia.

***Chamfer: 1/8" Dia. and larger. Break edge or saw cut below**

From stock delivery

Other materials available from stock: 303, 316, 12L14, C1060, 440C

Special sizes and other materials are available, please ask

Customizing: grooves, journals, flats, drill holes, thread + tapped holes, chamfers, special diameters, special lengths

ondrives.us

☎ 1-888-260-7466

📄 516-771-6444

💻 sales@ondrivesus.com

🌐 www.ondrivesus.com