

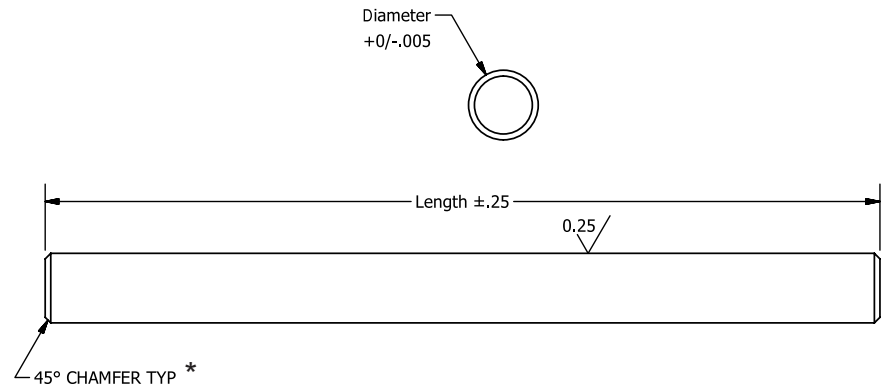
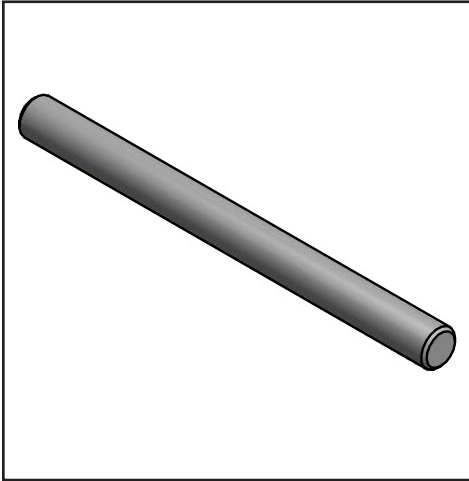
GPM

# SHAFTS

## Precision Ground Shafting

Metric - 17-4 PH RC 40 Stainless Steel

GPM

Surface Finish 10 $\mu$ mRockwell C40-47  
\*Chamfered both ends

Part Number	Ref.	+0 / -.005 Diameter	+/- 0.25 Length
GPM1000-200	1mm	1.000	200mm
GPM1000-300	1mm	1.000	300mm
GPM1500-200	1.5mm	1.500	200mm
GPM1500-300	1.5mm	1.500	300mm
GPM1500-600	1.5mm	1.500	600mm
GPM2000-200	2mm	2.000	200mm
GPM2000-300	2mm	2.000	300mm
GPM2000-600	2mm	2.000	600mm
GPM2000-900	2mm	2.000	900mm
GPM2500-200	2.5mm	2.500	200mm
GPM2500-300	2.5mm	2.500	300mm
GPM2500-600	2.5mm	2.500	600mm
GPM2500-900	2.5mm	2.500	900mm
GPM3000-200	3mm	3.000	200mm
GPM3000-300	3mm	3.000	300mm
GPM3000-600	3mm	3.000	600mm
GPM3000-900	3mm	3.000	900mm
GPM4000-200	4mm	4.000	200mm
GPM4000-300	4mm	4.000	300mm
GPM4000-600	4mm	4.000	600mm
GPM4000-900	4mm	4.000	900mm

Part Number	Ref.	+0 / -.005 Diameter	+/- 0.25 Length
GPM5000-300	5mm	5.000	300mm
GPM5000-600	5mm	5.000	600mm
GPM5000-900	5mm	5.000	900mm
GPM6000-300	6mm	6.000	300mm
GPM6000-600	6mm	6.000	600mm
GPM6000-900	6mm	6.000	900mm
GPM7000-300	7mm	7.000	300mm
GPM7000-600	7mm	7.000	600mm
GPM7000-900	7mm	7.000	900mm
GPM8000-300	8mm	8.000	300mm
GPM8000-600	8mm	8.000	600mm
GPM8000-900	8mm	8.000	900mm
GPM9000-300	9mm	9.000	300mm
GPM9000-600	9mm	9.000	600mm
GPM9000-900	9mm	9.000	900mm
GPM10000-300	10mm	10.000	300mm
GPM10000-600	10mm	10.000	600mm
GPM10000-900	10mm	10.000	900mm

\*Chamfered 6.5mm Dia. and larger.  
Break edge or saw cut below 6mm Dia.

Precision ground 17-4 PH Stainless, Hardened to RC40 12  
Diameters 1mm to 10mm

4 Lengths from 200mm to 900mm

### Straightness:

3mm to 6mm Diameter: 0.010mm/mm

Over 6mm Diameter: 0.015mm/mm

**Chamfer:** on 3mm Diameter and larger, Break edge below  
3mm Diameter

### From stock delivery

**Other materials available from stock: 303, 316, 12L14, C1060, 440C**

**Special sizes and other materials are available, please ask**

**Customizing: grooves, journals, flats, drill holes, thread + tapped holes, chamfers, special diameters, special lengths**

**ondrives.us**

☎ 1-888-260-7466

📄 516-771-6444

💻 sales@ondrivesus.com

🌐 www.ondrivesus.com