

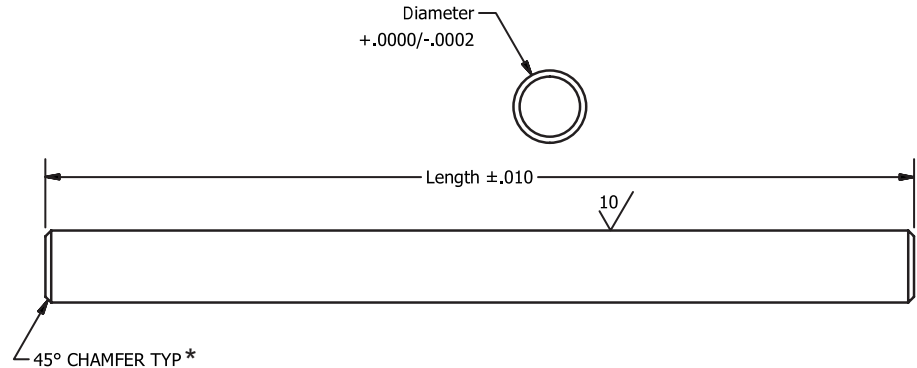
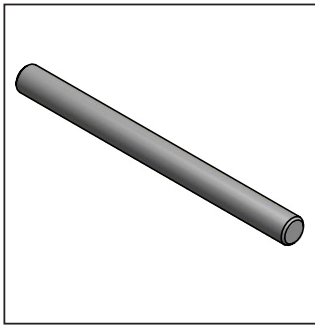
GS

SHAFTS

GS

303 Stainless Precision Ground Shafting

Inch Diameters
1/16" to 1-1/4" Diameters - 3" to 72" Length



Part Number	Ref.	+0.0000/ -0.0002 Diameter	+/- .010 Length
GS0625-30	1/16"	0.0625	3.00
GS0625-40	1/16"	0.0625	4.00
GS0625-50	1/16"	0.0625	5.00
GS0625-60	1/16"	0.0625	6.00
GS0625-70	1/16"	0.0625	7.00
GS0625-80	1/16"	0.0625	8.00
GS0625-90	1/16"	0.0625	9.00
GS0625-100	1/16"	0.0625	10.00
GS0625-120	1/16"	0.0625	12.00
GS0625-180	1/16"	0.0625	18.00
GS0625-240	1/16"	0.0625	24.00
GS0625-300	1/16"	0.0625	30.00
GS0625-360	1/16"	0.0625	36.00
GS1250-30	1/8"	0.1250	3.00
GS1250-40	1/8"	0.1250	4.00
GS1250-50	1/8"	0.1250	5.00
GS1250-60	1/8"	0.1250	6.00
GS1250-70	1/8"	0.1250	7.00
GS1250-80	1/8"	0.1250	8.00
GS1250-90	1/8"	0.1250	9.00

Part Number	Ref.	+0.0000/ -0.0002 Diameter	+/- .010 Length
GS1250-100	1/8"	0.1250	10.00
GS1250-120	1/8"	0.1250	12.00
GS1250-180	1/8"	0.1250	18.00
GS1250-240	1/8"	0.1250	24.00
GS1250-300	1/8"	0.1250	30.00
GS1250-360	1/8"	0.1250	36.00
GS1562-30	5/32"	0.1562	3.00
GS1562-40	5/32"	0.1562	4.00
GS1562-50	5/32"	0.1562	5.00
GS1562-60	5/32"	0.1562	6.00
GS1562-70	5/32"	0.1562	7.00
GS1562-80	5/32"	0.1562	8.00
GS1562-90	5/32"	0.1562	9.00
GS1562-100	5/32"	0.1562	10.00
GS1562-120	5/32"	0.1562	12.00
GS1562-180	5/32"	0.1562	18.00
GS1562-240	5/32"	0.1562	24.00
GS1562-300	5/32"	0.1562	30.00
GS1562-360	5/32"	0.1562	36.00

Continued on the next page

Precision ground 303 Stainless Steel
Diameters from 0.0625 to 1.250"
Lengths from 3" to 72"

Straightness:

Best efforts below 1/8" Diameter
1/8" to 1/4" Diameters: 0.0004in./in.
Over 1/4" Diameter: 0.0006in./in.

***45° Chamfers:**

1/8" Diameter and larger.
Break edge below 1/8" Diameter

From Stock Delivery

Surface Finish: 10µin up to 1/2" Diameter

12µin over 1/2" diameter

ASTM A582, 303 Annealed

Other materials available from stock

316, 17-4PH, 12L14 Steel

Special sizes and other materials

are available, Please ask.

Customizing:

grooves, journals, flats, drill holes,
key slots, threaded ends, tapped ends,
custom diameters or lengths

ondrives.us

☎ 1-888-260-7466

📠 516-771-6444

📧 sales@ondrivesus.com

🌐 www.ondrivesus.com

303 Stainless Precision Ground Shafting

Inch Diameters
1/16" to 1-1/4" Diameters - 3" to 72" Length

Continued from previous page

Part Number	Ref.	+0.0000/ -0.0002 Diameter	Lengths 3" to 36" +/-0.010 48" to 72" +/-0.125
GS1875-30	3/16"	0.1875	3.00
GS1875-40	3/16"	0.1875	4.00
GS1875-50	3/16"	0.1875	5.00
GS1875-60	3/16"	0.1875	6.00
GS1875-70	3/16"	0.1875	7.00
GS1875-80	3/16"	0.1875	8.00
GS1875-90	3/16"	0.1875	9.00
GS1875-100	3/16"	0.1875	10.00
GS1875-120	3/16"	0.1875	12.00
GS1875-180	3/16"	0.1875	18.00
GS1875-240	3/16"	0.1875	24.00
GS1875-300	3/16"	0.1875	30.00
GS1875-360	3/16"	0.1875	36.00
GS2500-30	1/4"	0.2500	3.00
GS2500-40	1/4"	0.2500	4.00
GS2500-50	1/4"	0.2500	5.00
GS2500-60	1/4"	0.2500	6.00
GS2500-70	1/4"	0.2500	7.00
GS2500-80	1/4"	0.2500	8.00
GS2500-90	1/4"	0.2500	9.00
GS2500-100	1/4"	0.2500	10.00
GS2500-120	1/4"	0.2500	12.00
GS2500-180	1/4"	0.2500	18.00
GS2500-240	1/4"	0.2500	24.00
GS2500-300	1/4"	0.2500	30.00
GS2500-360	1/4"	0.2500	36.00
GS2500-480	1/4"	0.2500	48.00**
GS2500-600	1/4"	0.2500	60.00**
GS2500-720	1/4"	0.2500	72.00**
GS3125-30	5/16"	0.3125	3.00
GS3125-40	5/16"	0.3125	4.00
GS3125-50	5/16"	0.3125	5.00
GS3125-60	5/16"	0.3125	6.00
GS3125-70	5/16"	0.3125	7.00
GS3125-80	5/16"	0.3125	8.00
GS3125-90	5/16"	0.3125	9.00
GS3125-100	5/16"	0.3125	10.00
GS3125-120	5/16"	0.3125	12.00
GS3125-180	5/16"	0.3125	18.00
GS3125-240	5/16"	0.3125	24.00
GS3125-300	5/16"	0.3125	30.00
GS3125-360	5/16"	0.3125	36.00
GS3125-480	5/16"	0.3125	48.00**
GS3125-600	5/16"	0.3125	60.00**

Part Number	Ref.	+0.0000/ -0.0002 Diameter	Lengths 3" to 36" +/-0.010 48" to 72" +/-0.125
GS3750-60	3/8"	0.3750	6.00
GS3750-120	3/8"	0.3750	12.00
GS3750-180	3/8"	0.3750	18.00
GS3750-240	3/8"	0.3750	24.00
GS3750-360	3/8"	0.3750	36.00
GS3750-480	3/8"	0.3750	48.00**
GS3750-600	3/8"	0.3750	60.00**
GS3750-720	3/8"	0.3750	72.00**
GS5000-120	1/2"	0.5000	12.00
GS5000-180	1/2"	0.5000	18.00
GS5000-240	1/2"	0.5000	24.00
GS5000-300	1/2"	0.5000	30.00
GS5000-360	1/2"	0.5000	36.00
GS5000-480	1/2"	0.5000	48.00**
GS5000-600	1/2"	0.5000	60.00**
GS5000-720	1/2"	0.5000	72.00**

Part Number	Ref.	+0.0000/ -0.0004 Diameter	Lengths 3" to 36" +/-0.010 48" to 72" +/-0.125
GS6250-120	5/8"	0.6250	12.00
GS6250-180	5/8"	0.6250	18.00
GS6250-240	5/8"	0.6250	24.00
GS6250-360	5/8"	0.6250	36.00
GS6250-480	5/8"	0.6250	48.00**
GS6250-600	5/8"	0.6250	60.00**
GS6250-720	5/8"	0.6250	72.00**
GS7500-120	3/4"	0.7500	12.00
GS7500-180	3/4"	0.7500	18.00
GS7500-240	3/4"	0.7500	24.00
GS7500-360	3/4"	0.7500	36.00
GS7500-480	3/4"	0.7500	48.00**
GS7500-600	3/4"	0.7500	60.00**
GS7500-720	3/4"	0.7500	72.00**
GS10K-120	1"	1.0000	12.00
GS10K-180	1"	1.0000	18.00
GS10K-240	1"	1.0000	24.00
GS10K-360	1"	1.0000	36.00
GS10K-480	1"	1.0000	48.00**
GS10K-600	1"	1.0000	60.00**
GS10K-720	1"	1.0000	72.00**
GS12.5K-120	1-1/4"	1.2500	12.00
GS12.5K-180	1-1/4"	1.2500	18.00
GS12.5K-240	1-1/4"	1.2500	24.00
GS12.5K-360	1-1/4"	1.2500	36.00
GS12.5K-480	1-1/4"	1.2500	48.00**
GS12.5K-600	1-1/4"	1.2500	60.00**
GS12.5K-720	1-1/4"	1.2500	72.00**