

GSM

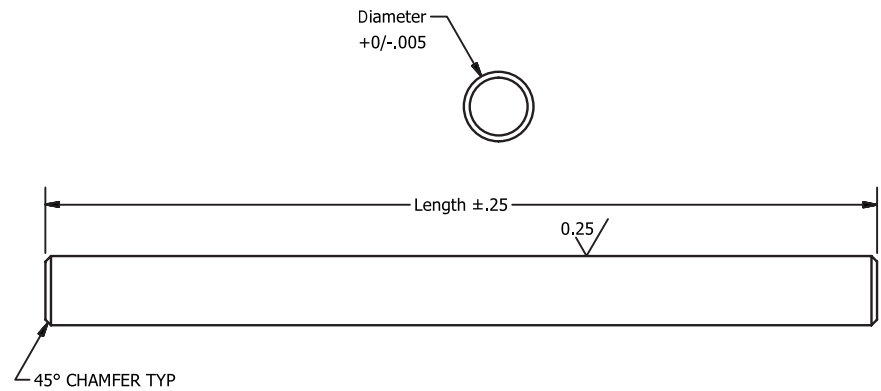
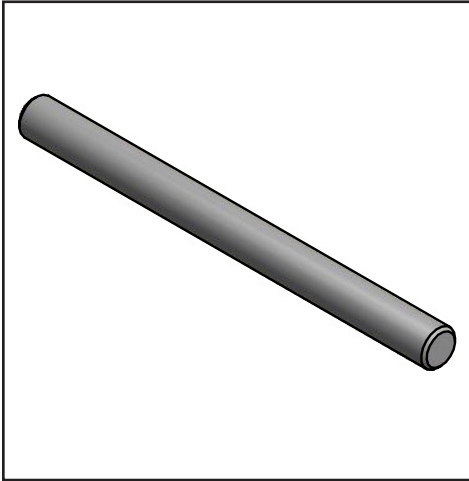
# SHAFTS

## Ground Shafting

303 Stainless Steel Metric

1mm to 10mm Diameters 200mm to 900mm Length

GSM



Part Number	Ref.	+0.000 / -0.005 Diameter	+/- 0.25 Length
GSM1000-200	1mm	1.000	200mm
GSM1000-300	1mm	1.000	300mm
GSM1000-400	1mm	1.000	400mm
GSM1000-600	1mm	1.000	600mm
GSM1000-800	1mm	1.000	800mm
GSM1000-900	1mm	1.000	900mm
GSM1500-200	1,5mm	1.500	200mm
GSM1500-300	1,5mm	1.500	300mm
GSM1500-400	1,5mm	1.500	400mm
GSM1500-600	1,5mm	1.500	600mm
GSM1500-800	1,5mm	1.500	800mm
GSM1500-900	1,5mm	1.500	900mm
GSM2000-200	2mm	2.000	200mm
GSM2000-300	2mm	2.000	300mm
GSM2000-400	2mm	2.000	400mm
GSM2000-600	2mm	2.000	600mm
GSM2000-800	2mm	2.000	800mm
GSM2000-900	2mm	2.000	900mm

Part Number	Ref.	+0.000 / -0.005 Diameter	+/- 0.25 Length
GSM2500-200	2,5mm	2.500	200mm
GSM2500-300	2,5mm	2.500	300mm
GSM2500-400	2,5mm	2.500	400mm
GSM2500-600	2,5mm	2.500	600mm
GSM2500-800	2,5mm	2.500	800mm
GSM2500-900	2,5mm	2.500	900mm
GSM3000-200	3mm	3.000	200mm
GSM3000-300	3mm	3.000	300mm
GSM3000-400	3mm	3.000	400mm
GSM3000-600	3mm	3.000	600mm
GSM3000-800	3mm	3.000	800mm
GSM3000-900	3mm	3.000	900mm
GSM4000-200	4mm	4.000	200mm
GSM4000-300	4mm	4.000	300mm
GSM4000-400	4mm	4.000	400mm
GSM4000-600	4mm	4.000	600mm
GSM4000-800	4mm	4.000	800mm
GSM4000-900	4mm	4.000	900mm

### Specifications:

**Material:** 303 Stainless Steel

### Straightness:

3mm to 6mm Diameter: 0.004mm/mm

Over 6mm Diameter: 0.006mm/mm

**Surface Finish:** 0.25µin

**Hardness:** HRB83

**Chamfer:** on 3mm Diameter and larger, Break edge  
below 3mm Diameter

### From stock delivery

**Other materials available from stock: 316, 17-4 PH, 12L14, C1060, 440C**

**Special sizes and other materials are available, please ask Customizing:  
grooves, journals, flats, drill holes, thread, tapped holes, chamfers,  
special diameters, special lengths**

**ondrives.us**

☎ 1-888-260-7466

📄 516-771-6444

💻 sales@ondrivesus.com

🌐 www.ondrivesus.com

## Ground Shafting

303 Stainless Steel Metric

1mm to 10mm Diameters 200mm to 900mm Length

Part Number	Ref.	+0.00 / -0.05 Diameter	+/- .025 Length
GSM5000-200	5mm	5.000	200mm
GSM5000-300	5mm	5.000	300mm
GSM5000-400	5mm	5.000	400mm
GSM5000-600	5mm	5.000	600mm
GSM5000-800	5mm	5.000	800mm
GSM5000-900	5mm	5.000	900mm
GSM6000-200	6mm	6.000	200mm
GSM6000-300	6mm	6.000	300mm
GSM6000-400	6mm	6.000	400mm
GSM6000-600	6mm	6.000	600mm
GSM6000-800	6mm	6.000	800mm
GSM6000-900	6mm	6.000	900mm
GSM7000-200	7mm	7.000	200mm
GSM7000-300	7mm	7.000	300mm
GSM7000-400	7mm	7.000	400mm
GSM7000-600	7mm	7.000	600mm
GSM7000-800	7mm	7.000	800mm
GSM7000-900	7mm	7.000	900mm

Part Number	Ref.	+0.00 / -0.05 Diameter	+/- 0.25 Length
GSM8000-200	8mm	8.000	200mm
GSM8000-300	8mm	8.000	300mm
GSM8000-400	8mm	8.000	400mm
GSM8000-600	8mm	8.000	600mm
GSM8000-800	8mm	8.000	800mm
GSM8000-900	8mm	8.000	900mm
GSM9000-200	9mm	9.000	200mm
GSM9000-300	9mm	9.000	300mm
GSM9000-400	9mm	9.000	400mm
GSM9000-600	9mm	9.000	600mm
GSM9000-800	9mm	9.000	800mm
GSM9000-900	9mm	9.000	900mm
GSM10000-200	10mm	10.000	200mm
GSM10000-300	10mm	10.000	300mm
GSM10000-400	10mm	10.000	400mm
GSM10000-600	10mm	10.000	600mm
GSM10000-800	10mm	10.000	800mm
GSM10000-900	10mm	10.000	900mm

**Specifications:****Material:** 303 Stainless Steel**Straightness:**

3mm to 6mm Diameter: 0.004mm/mm

Over 6mm Diameter: 0.006mm/mm

**Surface Finish:** 0.25µin**Hardness:** HRB83**\*Chamfer:** on 3mm Diameter and larger, Break edge below 3mm Diameter**From stock delivery****Other materials available from stock: 316, 17-4 PH, 12L14, C1060, 440C****Special sizes and other materials are available, please ask Customizing: grooves, journals, flats, drill holes, thread, tapped holes, chamfers, special diameters, special lengths**