

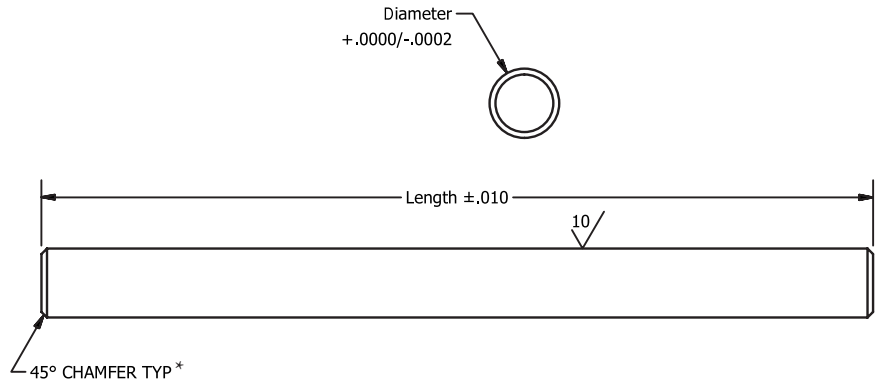
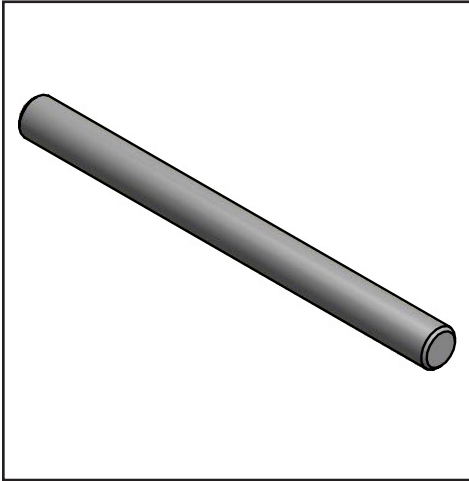
GS1247

# SHAFTS

GS1247

## Precision Ground 303 Stainless Shafting

400 Incremental Lengths from 1" to 36" in 6 diameters  
Bearing Toleranced



Straightness .0003in/in up to 1/4" Dia.,

Part Number	Actual Diameter	Length	Chamfer
GS1247-10	0.1247	1.000	.010 x 45°
GS1247-11	0.1247	1.125	.010 x 45°
GS1247-12	0.1247	1.250	.010 x 45°
GS1247-13	0.1247	1.375	.010 x 45°
GS1247-15	0.1247	1.500	.010 x 45°
GS1247-16	0.1247	1.625	.010 x 45°
GS1247-17	0.1247	1.750	.010 x 45°
GS1247-18	0.1247	1.875	.010 x 45°
GS1247-20	0.1247	2.000	.010 x 45°
GS1247-21	0.1247	2.125	.010 x 45°
GS1247-22	0.1247	2.250	.010 x 45°
GS1247-23	0.1247	2.375	.010 x 45°
GS1247-25	0.1247	2.500	.010 x 45°
GS1247-26	0.1247	2.625	.010 x 45°
GS1247-27	0.1247	2.750	.010 x 45°
GS1247-28	0.1247	2.875	.010 x 45°
GS1247-30	0.1247	3.000	.010 x 45°
GS1247-31	0.1247	3.125	.010 x 45°
GS1247-32	0.1247	3.250	.010 x 45°
GS1247-33	0.1247	3.375	.010 x 45°
GS1247-35	0.1247	3.500	.010 x 45°
GS1247-36	0.1247	3.625	.010 x 45°
GS1247-37	0.1247	3.750	.010 x 45°

Part Number	Actual Diameter	Length	Chamfer
GS1247-38	0.1247	3.875	.010 x 45°
GS1247-40	0.1247	4.000	.010 x 45°
GS1247-41	0.1247	4.125	.010 x 45°
GS1247-42	0.1247	4.250	.010 x 45°
GS1247-43	0.1247	4.375	.010 x 45°
GS1247-45	0.1247	4.500	.010 x 45°
GS1247-46	0.1247	4.625	.010 x 45°
GS1247-47	0.1247	4.750	.010 x 45°
GS1247-48	0.1247	4.875	.010 x 45°
GS1247-50	0.1247	5.000	.010 x 45°
GS1247-51	0.1247	5.125	.010 x 45°
GS1247-52	0.1247	5.250	.010 x 45°
GS1247-53	0.1247	5.375	.010 x 45°
GS1247-55	0.1247	5.500	.010 x 45°
GS1247-56	0.1247	5.625	.010 x 45°
GS1247-57	0.1247	5.750	.010 x 45°
GS1247-58	0.1247	5.875	.010 x 45°
GS1247-60	0.1247	6.000	.010 x 45°
GS1247-61	0.1247	6.125	.010 x 45°
GS1247-62	0.1247	6.250	.010 x 45°
GS1247-63	0.1247	6.375	.010 x 45°
GS1247-65	0.1247	6.500	.010 x 45°
GS1247-66	0.1247	6.625	.010 x 45°

Part Number	Actual Diameter	Length	Chamfer
GS1247-67	0.1247	6.750	.010 x 45°
GS1247-70	0.1247	7.000	.010 x 45°
GS1247-72	0.1247	7.250	.010 x 45°
GS1247-75	0.1247	7.500	.010 x 45°
GS1247-77	0.1247	7.750	.010 x 45°
GS1247-80	0.1247	8.000	.010 x 45°
GS1247-82	0.1247	8.250	.010 x 45°
GS1247-83	0.1247	8.375	.010 x 45°
GS1247-85	0.1247	8.500	.010 x 45°
GS1247-90	0.1247	9.000	.010 x 45°
GS1247-95	0.1247	9.500	.010 x 45°
GS1247-100	0.1247	10.000	.010 x 45°
GS1247-110	0.1247	11.000	.010 x 45°
GS1247-120	0.1247	12.000	.010 x 45°
GS1247-130	0.1247	13.000	.010 x 45°
GS1247-140	0.1247	14.000	.010 x 45°
GS1247-150	0.1247	15.000	.010 x 45°
GS1247-160	0.1247	16.000	.010 x 45°
GS1247-180	0.1247	18.000	.010 x 45°
GS1247-200	0.1247	20.000	.010 x 45°
GS1247-220	0.1247	22.000	.010 x 45°
GS1247-240	0.1247	24.000	.010 x 45°

+0.0000

Diameter tolerance -0.0002

### Precision ground 303 Stainless Steel

400 Lengths from 1" to 36" in 6 diameters

Toleranced for ball bearings

Perfect for use with: ball bearings, pulleys, couplings, gears, any rotating components

Straightness within .0003"/Inch for 1/8", 3/16", 1/4" diameter

Straightness within .0004"/Inch for all other diameters

### From stock delivery

Other materials available from stock: 303, 316, 12L14

Special sizes and other materials are available, please ask

Customizing: grooves, journals, flats, drill holes, chamfers, special diameters, special lengths

**ondrives.us**

☎ 1-888-260-7466

📄 516-771-6444

💻 sales@ondrivesus.com

🌐 www.ondrivesus.com