

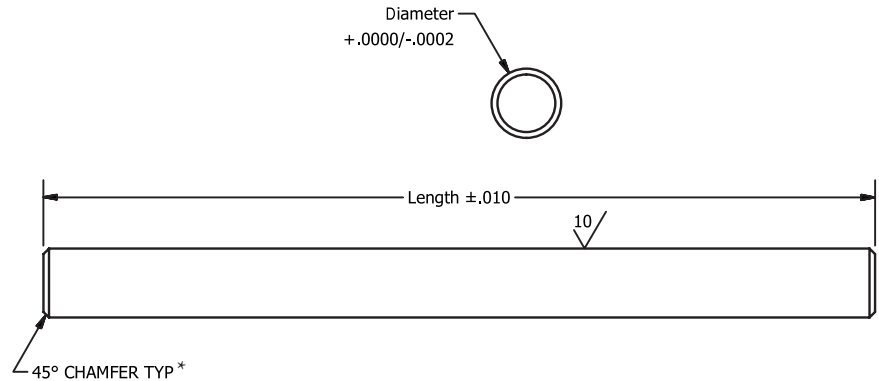
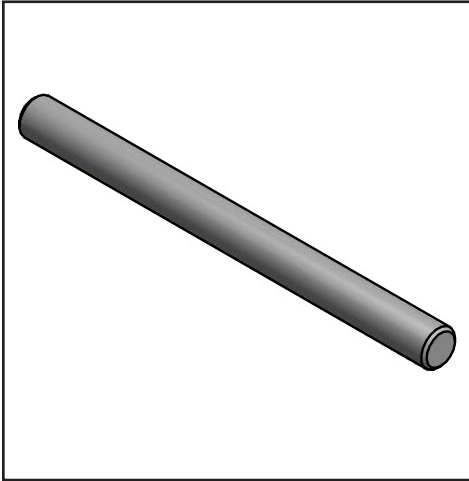
GS1872

SHAFTS

GS1872

Precision Ground 303 Stainless Shafting

400 Incremental Lengths from 1" to 36" in 6 diameters
Bearing Toleranced Incremental Lengths



Straightness .0003in/in up to 1/4" Dia.,

+0.0000
Diameter tolerance -0.0002

Part Number	Actual Diameter	Length	Chamfer
GS1872-10	0.1872	1.000	.020 x 45°
GS1872-11	0.1872	1.125	.020 x 45°
GS1872-12	0.1872	1.250	.020 x 45°
GS1872-13	0.1872	1.375	.020 x 45°
GS1872-15	0.1872	1.500	.020 x 45°
GS1872-16	0.1872	1.625	.020 x 45°
GS1872-17	0.1872	1.750	.020 x 45°
GS1872-18	0.1872	1.875	.020 x 45°
GS1872-20	0.1872	2.000	.020 x 45°
GS1872-21	0.1872	2.125	.020 x 45°
GS1872-22	0.1872	2.250	.020 x 45°
GS1872-23	0.1872	2.375	.020 x 45°
GS1872-25	0.1872	2.500	.020 x 45°
GS1872-26	0.1872	2.625	.020 x 45°
GS1872-27	0.1872	2.750	.020 x 45°
GS1872-28	0.1872	2.875	.020 x 45°
GS1872-30	0.1872	3.000	.020 x 45°
GS1872-31	0.1872	3.125	.020 x 45°
GS1872-32	0.1872	3.250	.020 x 45°
GS1872-33	0.1872	3.375	.020 x 45°
GS1872-35	0.1872	3.500	.020 x 45°
GS1872-36	0.1872	3.625	.020 x 45°
GS1872-37	0.1872	3.750	.020 x 45°

Part Number	Actual Diameter	Length	Chamfer
GS1872-38	0.1872	3.875	.020 x 45°
GS1872-40	0.1872	4.000	.020 x 45°
GS1872-41	0.1872	4.125	.020 x 45°
GS1872-42	0.1872	4.250	.020 x 45°
GS1872-43	0.1872	4.375	.020 x 45°
GS1872-45	0.1872	4.500	.020 x 45°
GS1872-46	0.1872	4.625	.020 x 45°
GS1872-47	0.1872	4.750	.020 x 45°
GS1872-48	0.1872	4.875	.020 x 45°
GS1872-50	0.1872	5.000	.020 x 45°
GS1872-51	0.1872	5.125	.020 x 45°
GS1872-52	0.1872	5.250	.020 x 45°
GS1872-53	0.1872	5.375	.020 x 45°
GS1872-55	0.1872	5.500	.020 x 45°
GS1872-56	0.1872	5.625	.020 x 45°
GS1872-57	0.1872	5.750	.020 x 45°
GS1872-58	0.1872	5.875	.020 x 45°
GS1872-60	0.1872	6.000	.020 x 45°
GS1872-61	0.1872	6.125	.020 x 45°
GS1872-62	0.1872	6.250	.020 x 45°
GS1872-63	0.1872	6.375	.020 x 45°
GS1872-65	0.1872	6.500	.020 x 45°
GS1872-66	0.1872	6.625	.020 x 45°

Part Number	Actual Diameter	Length	Chamfer
GS1872-67	0.1872	6.750	.020 x 45°
GS1872-70	0.1872	7.000	.020 x 45°
GS1872-72	0.1872	7.250	.020 x 45°
GS1872-75	0.1872	7.500	.020 x 45°
GS1872-77	0.1872	7.750	.020 x 45°
GS1872-80	0.1872	8.000	.020 x 45°
GS1872-82	0.1872	8.250	.020 x 45°
GS1872-85	0.1872	8.500	.020 x 45°
GS1872-90	0.1872	9.000	.020 x 45°
GS1872-95	0.1872	9.500	.020 x 45°
GS1872-100	0.1872	10.000	.020 x 45°
GS1872-110	0.1872	11.000	.020 x 45°
GS1872-120	0.1872	12.000	.020 x 45°
GS1872-130	0.1872	13.000	.020 x 45°
GS1872-140	0.1872	14.000	.020 x 45°
GS1872-150	0.1872	15.000	.020 x 45°
GS1872-160	0.1872	16.000	.020 x 45°
GS1872-180	0.1872	18.000	.020 x 45°
GS1872-200	0.1872	20.000	.020 x 45°
GS1872-220	0.1872	22.000	.020 x 45°
GS1872-240	0.1872	24.000	.020 x 45°

Precision ground 303 Stainless Steel
400 Lengths from 1" to 36" in 6 diameters
Toleranced for ball bearings

Perfect for use with: ball bearings, pulleys, couplings,
gears, any rotating components

Straightness within .0003"/Inch for 1/8", 3/16", 1/4" diameter

Straightness within .0004"/Inch for all other diameters

From stock delivery

Other materials available from stock: 303, 316, 12L14

Special sizes and other materials are available, please ask

Customizing: grooves, journals, flats, drill holes,
chamfers, special diameters, special lengths

ondrives.us

☎ 1-888-260-7466

📄 516-771-6444

💻 sales@ondrivesus.com

🌐 www.ondrivesus.com