

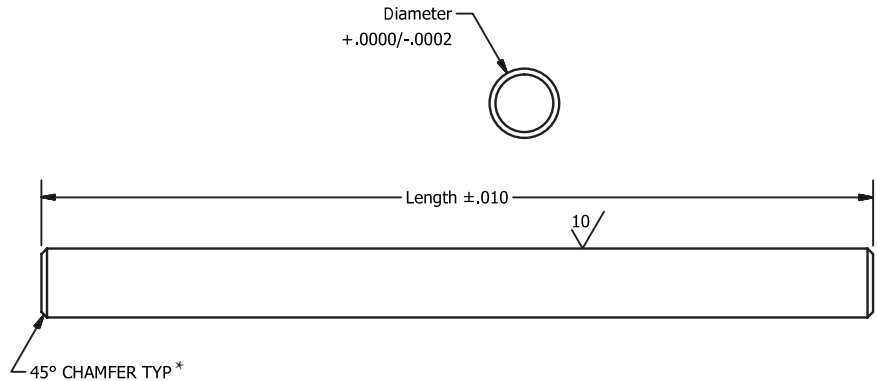
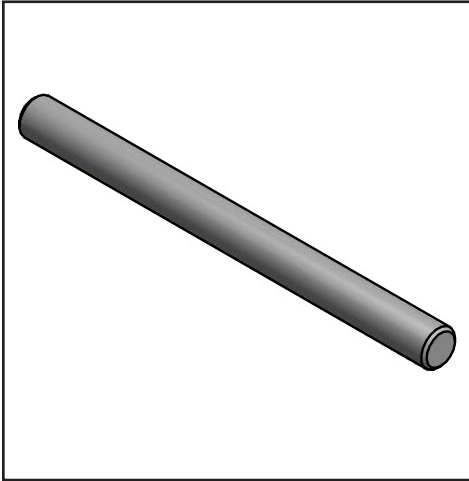
GS2497

SHAFTS

GS2497

Precision Ground 303 Stainless Shafting

400 Incremental Lengths from 1" to 36" in 6 diameters
Bearing Toleranced Incremental Lengths



Straightness .0003in/in up to 1/4" Dia.,

Part Number	Actual Diameter	Length	Chamfer
GS2497-10	0.2497	1.000	.030 x 45°
GS2497-11	0.2497	1.125	.030 x 45°
GS2497-12	0.2497	1.250	.030 x 45°
GS2497-13	0.2497	1.375	.030 x 45°
GS2497-15	0.2497	1.500	.030 x 45°
GS2497-16	0.2497	1.625	.030 x 45°
GS2497-17	0.2497	1.750	.030 x 45°
GS2497-18	0.2497	1.875	.030 x 45°
GS2497-20	0.2497	2.000	.030 x 45°
GS2497-21	0.2497	2.125	.030 x 45°
GS2497-22	0.2497	2.250	.030 x 45°
GS2497-23	0.2497	2.375	.030 x 45°
GS2497-25	0.2497	2.500	.030 x 45°
GS2497-26	0.2497	2.625	.030 x 45°
GS2497-27	0.2497	2.750	.030 x 45°
GS2497-28	0.2497	2.875	.030 x 45°
GS2497-30	0.2497	3.000	.030 x 45°
GS2497-31	0.2497	3.125	.030 x 45°
GS2497-32	0.2497	3.250	.030 x 45°
GS2497-33	0.2497	3.375	.030 x 45°
GS2497-35	0.2497	3.500	.030 x 45°
GS2497-36	0.2497	3.625	.030 x 45°
GS2497-37	0.2497	3.750	.030 x 45°

Part Number	Actual Diameter	Length	Chamfer
GS2497-38	0.2497	3.875	.030 x 45°
GS2497-40	0.2497	4.000	.030 x 45°
GS2497-41	0.2497	4.125	.030 x 45°
GS2497-42	0.2497	4.250	.030 x 45°
GS2497-43	0.2497	4.375	.030 x 45°
GS2497-45	0.2497	4.500	.030 x 45°
GS2497-46	0.2497	4.625	.030 x 45°
GS2497-47	0.2497	4.750	.030 x 45°
GS2497-48	0.2497	4.875	.030 x 45°
GS2497-50	0.2497	5.000	.030 x 45°
GS2497-51	0.2497	5.125	.030 x 45°
GS2497-52	0.2497	5.250	.030 x 45°
GS2497-53	0.2497	5.375	.030 x 45°
GS2497-55	0.2497	5.500	.030 x 45°
GS2497-56	0.2497	5.625	.030 x 45°
GS2497-57	0.2497	5.750	.030 x 45°
GS2497-58	0.2497	5.875	.030 x 45°
GS2497-60	0.2497	6.000	.030 x 45°
GS2497-61	0.2497	6.125	.030 x 45°
GS2497-62	0.2497	6.250	.030 x 45°
GS2497-63	0.2497	6.375	.030 x 45°
GS2497-65	0.2497	6.500	.030 x 45°
GS2497-66	0.2497	6.625	.030 x 45°

Part Number	Actual Diameter	Length	Chamfer
GS2497-67	0.2497	6.750	.030 x 45°
GS2497-70	0.2497	7.000	.030 x 45°
GS2497-72	0.2497	7.250	.030 x 45°
GS2497-75	0.2497	7.500	.030 x 45°
GS2497-77	0.2497	7.750	.030 x 45°
GS2497-80	0.2497	8.000	.030 x 45°
GS2497-82	0.2497	8.250	.030 x 45°
GS2497-85	0.2497	8.500	.030 x 45°
GS2497-90	0.2497	9.000	.030 x 45°
GS2497-95	0.2497	9.500	.030 x 45°
GS2497-100	0.2497	10.000	.030 x 45°
GS2497-110	0.2497	11.000	.030 x 45°
GS2497-120	0.2497	12.000	.030 x 45°
GS2497-130	0.2497	13.000	.030 x 45°
GS2497-140	0.2497	14.000	.030 x 45°
GS2497-150	0.2497	15.000	.030 x 45°
GS2497-160	0.2497	16.000	.030 x 45°
GS2497-180	0.2497	18.000	.030 x 45°
GS2497-200	0.2497	20.000	.030 x 45°
GS2497-220	0.2497	22.000	.030 x 45°
GS2497-240	0.2497	24.000	.030 x 45°

+0.0000

Diameter tolerance -0.0002

Precision ground 303 Stainless Steel
400 Lengths from 1" to 36" in 6 diameters
Toleranced for ball bearings

Perfect for use with: ball bearings, pulleys, couplings,
gears, any rotating components

Straightness within .0003"/Inch for 1/8", 3/16", 1/4" diameter

Straightness within .0004"/Inch for all other diameters

From stock delivery

Other materials available from stock: 303, 316, 12L14

Special sizes and other materials are available, please ask

Customizing: grooves, journals, flats, drill holes,
chamfers, special diameters, special lengths

ondrives.us

☎ 1-888-260-7466

📄 516-771-6444

💻 sales@ondrivesus.com

🌐 www.ondrivesus.com