

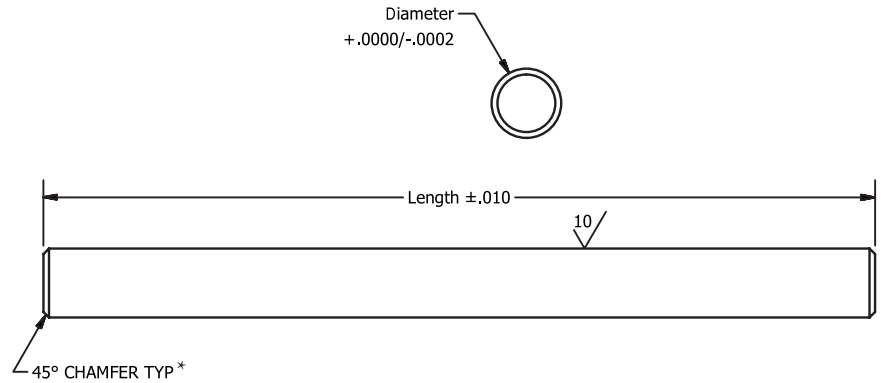
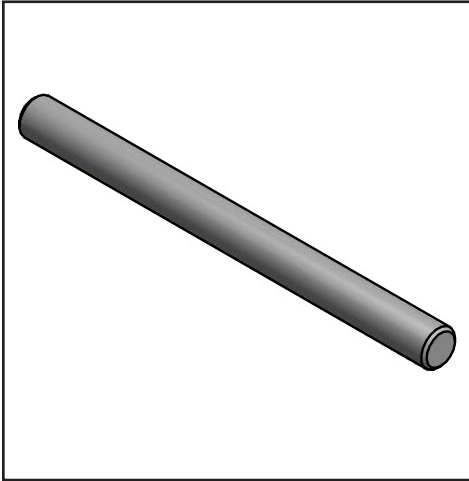
GS3122

# SHAFTS

GS3122

## Precision Ground 303 Stainless Shafting

400 Incremental Lengths from 1" to 36" in 6 diameters  
Bearing Toleranced Incremental Lengths



Straightness .0003in/in up to 1/4" Dia.,

+0.0000  
Diameter tolerance -0.0002

Part Number	Actual Diameter	Length	Chamfer
GS3122-13	0.3122	1.375	.030 x 45°
GS3122-15	0.3122	1.500	.030 x 45°
GS3122-16	0.3122	1.625	.030 x 45°
GS3122-17	0.3122	1.750	.030 x 45°
GS3122-18	0.3122	1.875	.030 x 45°
GS3122-20	0.3122	2.000	.030 x 45°
GS3122-21	0.3122	2.125	.030 x 45°
GS3122-22	0.3122	2.250	.030 x 45°
GS3122-23	0.3122	2.375	.030 x 45°
GS3122-25	0.3122	2.500	.030 x 45°
GS3122-26	0.3122	2.625	.030 x 45°
GS3122-27	0.3122	2.750	.030 x 45°
GS3122-28	0.3122	2.875	.030 x 45°
GS3122-30	0.3122	3.000	.030 x 45°
GS3122-31	0.3122	3.125	.030 x 45°
GS3122-32	0.3122	3.250	.030 x 45°
GS3122-33	0.3122	3.375	.030 x 45°
GS3122-35	0.3122	3.500	.030 x 45°
GS3122-36	0.3122	3.625	.030 x 45°
GS3122-37	0.3122	3.750	.030 x 45°
GS3122-38	0.3122	3.875	.030 x 45°
GS3122-40	0.3122	4.000	.030 x 45°
GS3122-41	0.3122	4.125	.030 x 45°

Part Number	Actual Diameter	Length	Chamfer
GS3122-42	0.3122	4.250	.030 x 45°
GS3122-43	0.3122	4.375	.030 x 45°
GS3122-45	0.3122	4.500	.030 x 45°
GS3122-46	0.3122	4.625	.030 x 45°
GS3122-47	0.3122	4.750	.030 x 45°
GS3122-48	0.3122	4.875	.030 x 45°
GS3122-50	0.3122	5.000	.030 x 45°
GS3122-51	0.3122	5.125	.030 x 45°
GS3122-52	0.3122	5.250	.030 x 45°
GS3122-53	0.3122	5.375	.030 x 45°
GS3122-55	0.3122	5.500	.030 x 45°
GS3122-56	0.3122	5.625	.030 x 45°
GS3122-57	0.3122	5.750	.030 x 45°
GS3122-58	0.3122	5.875	.030 x 45°
GS3122-60	0.3122	6.000	.030 x 45°
GS3122-61	0.3122	6.125	.030 x 45°
GS3122-62	0.3122	6.250	.030 x 45°
GS3122-63	0.3122	6.375	.030 x 45°
GS3122-65	0.3122	6.500	.030 x 45°
GS3122-66	0.3122	6.625	.030 x 45°
GS3122-67	0.3122	6.750	.030 x 45°
GS3122-70	0.3122	7.000	.030 x 45°
GS3122-72	0.3122	7.250	.030 x 45°

Part Number	Actual Diameter	Length	Chamfer
GS3122-75	0.3122	7.500	.030 x 45°
GS3122-77	0.3122	7.750	.030 x 45°
GS3122-80	0.3122	8.000	.030 x 45°
GS3122-82	0.3122	8.250	.030 x 45°
GS3122-85	0.3122	8.500	.030 x 45°
GS3122-90	0.3122	9.000	.030 x 45°
GS3122-95	0.3122	9.500	.030 x 45°
GS3122-100	0.3122	10.000	.030 x 45°
GS3122-110	0.3122	11.000	.030 x 45°
GS3122-120	0.3122	12.000	.030 x 45°
GS3122-130	0.3122	13.000	.030 x 45°
GS3122-140	0.3122	14.000	.030 x 45°
GS3122-150	0.3122	15.000	.030 x 45°
GS3122-160	0.3122	16.000	.030 x 45°
GS3122-180	0.3122	18.000	.030 x 45°
GS3122-200	0.3122	20.000	.030 x 45°
GS3122-220	0.3122	22.000	.030 x 45°
GS3122-240	0.3122	24.000	.030 x 45°

**Precision ground 303 Stainless Steel**  
**400 Lengths from 1" to 36" in 6 diameters**  
**Toleranced for ball bearings**  
**Perfect for use with: ball bearings, pulleys, couplings, gears, any rotating components**  
**Straightness within .0003"/Inch for 1/8", 3/16", 1/4" diameter**  
**Straightness within .0004"/Inch for all other diameters**

**From stock delivery**  
**Other materials available from stock: 303, 316, 12L14**  
**Special sizes and other materials are available, please ask**  
**Customizing: grooves, journals, flats, drill holes, chamfers, special diameters, special lengths**

**ondrives.us**

☎ 1-888-260-7466  
 📄 516-771-6444

💻 sales@ondrivesus.com  
 🌐 www.ondrivesus.com