

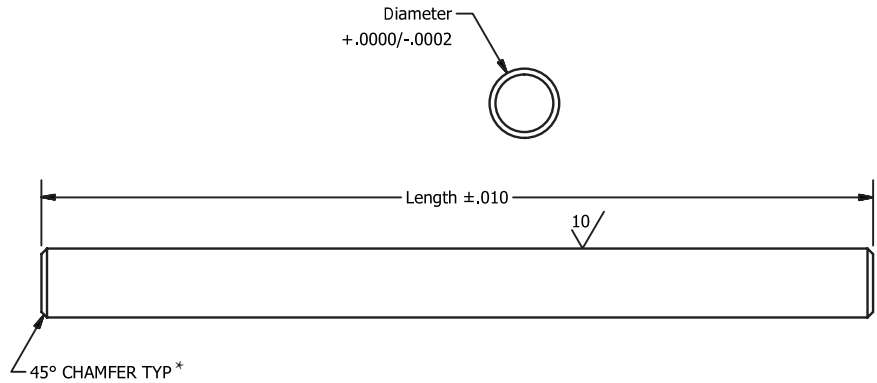
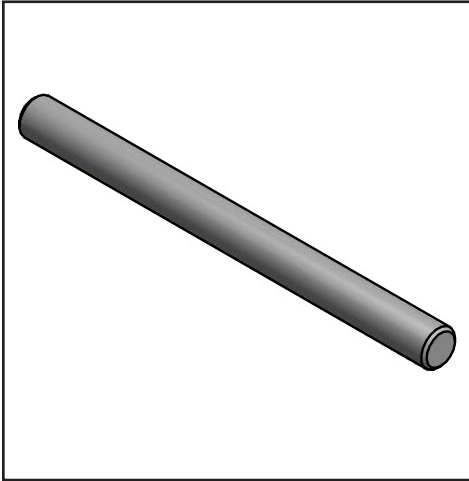
GS3747

SHAFTS

GS3747

Precision Ground 303 Stainless Shafting

400 Incremental Lengths from 1" to 36" in 6 diameters
Bearing Toleranced Incremental Lengths



Straightness .0003in/in up to 1/4" Dia.,

+0.0000
Diameter tolerance -0.0002

Part Number	Actual Diameter	Length	Chamfer
GS3747-18	0.3747	1.875	.030 x 45°
GS3747-20	0.3747	2.000	.030 x 45°
GS3747-21	0.3747	2.125	.030 x 45°
GS3747-22	0.3747	2.250	.030 x 45°
GS3747-23	0.3747	2.375	.030 x 45°
GS3747-25	0.3747	2.500	.030 x 45°
GS3747-26	0.3747	2.625	.030 x 45°
GS3747-27	0.3747	2.750	.030 x 45°
GS3747-28	0.3747	2.875	.030 x 45°
GS3747-30	0.3747	3.000	.030 x 45°
GS3747-31	0.3747	3.125	.030 x 45°
GS3747-32	0.3747	3.250	.030 x 45°
GS3747-33	0.3747	3.375	.030 x 45°
GS3747-35	0.3747	3.500	.030 x 45°
GS3747-36	0.3747	3.625	.030 x 45°
GS3747-37	0.3747	3.750	.030 x 45°
GS3747-38	0.3747	3.875	.030 x 45°
GS3747-40	0.3747	4.000	.030 x 45°
GS3747-41	0.3747	4.125	.030 x 45°
GS3747-42	0.3747	4.250	.030 x 45°
GS3747-43	0.3747	4.375	.030 x 45°
GS3747-45	0.3747	4.500	.030 x 45°
GS3747-46	0.3747	4.625	.030 x 45°

Part Number	Actual Diameter	Length	Chamfer
GS3747-47	0.3747	4.750	.030 x 45°
GS3747-48	0.3747	4.875	.030 x 45°
GS3747-50	0.3747	5.000	.030 x 45°
GS3747-51	0.3747	5.125	.030 x 45°
GS3747-52	0.3747	5.250	.030 x 45°
GS3747-53	0.3747	5.375	.030 x 45°
GS3747-55	0.3747	5.500	.030 x 45°
GS3747-56	0.3747	5.625	.030 x 45°
GS3747-57	0.3747	5.750	.030 x 45°
GS3747-58	0.3747	5.875	.030 x 45°
GS3747-60	0.3747	6.000	.030 x 45°
GS3747-61	0.3747	6.125	.030 x 45°
GS3747-62	0.3747	6.250	.030 x 45°
GS3747-63	0.3747	6.375	.030 x 45°
GS3747-65	0.3747	6.500	.030 x 45°
GS3747-66	0.3747	6.625	.030 x 45°
GS3747-67	0.3747	6.750	.030 x 45°
GS3747-70	0.3747	7.000	.030 x 45°
GS3747-72	0.3747	7.250	.030 x 45°
GS3747-75	0.3747	7.500	.030 x 45°
GS3747-77	0.3747	7.750	.030 x 45°
GS3747-80	0.3747	8.875	.030 x 45°
GS3747-82	0.3747	8.250	.030 x 45°

Part Number	Actual Diameter	Length	Chamfer
GS3747-85	0.3747	8.500	.030 x 45°
GS3747-90	0.3747	9.000	.030 x 45°
GS3747-95	0.3747	9.500	.030 x 45°
GS3747-100	0.3747	10.000	.030 x 45°
GS3747-110	0.3747	11.000	.030 x 45°
GS3747-120	0.3747	12.000	.030 x 45°
GS3747-130	0.3747	13.000	.030 x 45°
GS3747-140	0.3747	14.000	.030 x 45°
GS3747-150	0.3747	15.000	.030 x 45°
GS3747-160	0.3747	16.000	.030 x 45°
GS3747-180	0.3747	18.000	.030 x 45°
GS3747-200	0.3747	20.000	.030 x 45°
GS3747-220	0.3747	22.000	.030 x 45°
GS3747-240	0.3747	24.000	.030 x 45°
GS3747-260	0.3747	26.000	.030 x 45°
GS3747-280	0.3747	28.000	.030 x 45°
GS3747-300	0.3747	30.000	.030 x 45°
GS3747-320	0.3747	32.000	.030 x 45°
GS3747-340	0.3747	34.000	.030 x 45°
GS3747-360	0.3747	36.000	.030 x 45°

Precision ground 303 Stainless Steel
400 Lengths from 1" to 36" in 6 diameters
Toleranced for ball bearings

Perfect for use with: ball bearings, pulleys, couplings,
gears, any rotating components

Straightness within .0003"/Inch for 1/8", 3/16", 1/4" diameter

Straightness within .0004"/Inch for all other diameters

From stock delivery

Other materials available from stock: 303, 316, 12L14

Special sizes and other materials are available, please ask

Customizing: grooves, journals, flats, drill holes,
chamfers, special diameters, special lengths

ondrives.us

☎ 1-888-260-7466

☎ 516-771-6444

💻 sales@ondrivesus.com

🌐 www.ondrivesus.com