

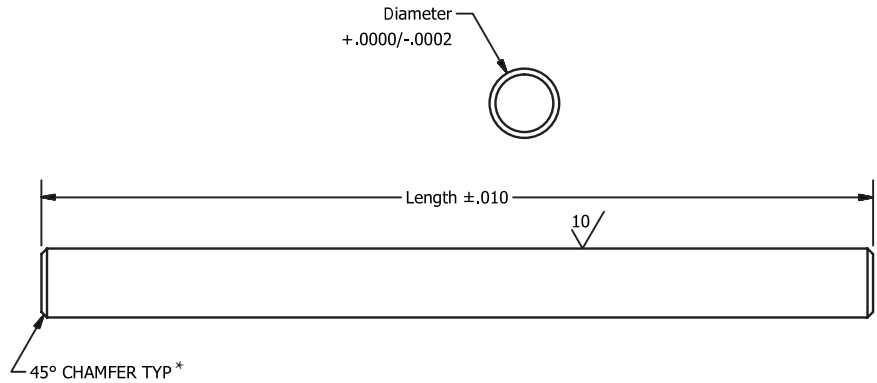
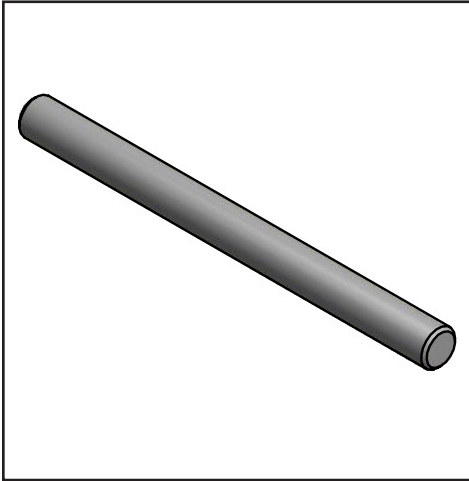
GS4997

SHAFTS

GS4997

Precision Ground 303 Stainless Shafting

400 Incremental Lengths from 1" to 36" in 6 diameters
Bearing Toleranced Incremental Lengths



Straightness .0003in/in up to 1/4" Dia.,

+0.0000
Diameter tolerance -0.0002

Part Number	Actual Diameter	Length	Chamfer
GS4997-20	0.4997	2.000	.030 x 45°
GS4997-21	0.4997	2.125	.030 x 45°
GS4997-22	0.4997	2.250	.030 x 45°
GS4997-23	0.4997	2.375	.030 x 45°
GS4997-25	0.4997	2.500	.030 x 45°
GS4997-26	0.4997	2.625	.030 x 45°
GS4997-27	0.4997	2.750	.030 x 45°
GS4997-28	0.4997	2.875	.030 x 45°
GS4997-30	0.4997	3.000	.030 x 45°
GS4997-31	0.4997	3.125	.030 x 45°
GS4997-32	0.4997	3.250	.030 x 45°
GS4997-33	0.4997	3.375	.030 x 45°
GS4997-35	0.4997	3.500	.030 x 45°
GS4997-36	0.4997	3.625	.030 x 45°
GS4997-37	0.4997	3.750	.030 x 45°
GS4997-38	0.4997	3.875	.030 x 45°
GS4997-40	0.4997	4.000	.030 x 45°
GS4997-41	0.4997	4.125	.030 x 45°
GS4997-42	0.4997	4.250	.030 x 45°
GS4997-43	0.4997	4.375	.030 x 45°
GS4997-45	0.4997	4.500	.030 x 45°
GS4997-46	0.4997	4.625	.030 x 45°
GS4997-47	0.4997	4.750	.030 x 45°

Part Number	Actual Diameter	Length	Chamfer
GS4997-48	0.4997	4.875	.030 x 45°
GS4997-50	0.4997	5.000	.030 x 45°
GS4997-51	0.4997	5.125	.030 x 45°
GS4997-52	0.4997	5.250	.030 x 45°
GS4997-53	0.4997	5.375	.030 x 45°
GS4997-55	0.4997	5.500	.030 x 45°
GS4997-56	0.4997	5.625	.030 x 45°
GS4997-57	0.4997	5.750	.030 x 45°
GS4997-58	0.4997	5.875	.030 x 45°
GS4997-60	0.4997	6.000	.030 x 45°
GS4997-61	0.4997	6.125	.030 x 45°
GS4997-62	0.4997	6.250	.030 x 45°
GS4997-63	0.4997	6.375	.030 x 45°
GS4997-65	0.4997	6.500	.030 x 45°
GS4997-66	0.4997	6.625	.030 x 45°
GS4997-67	0.4997	6.750	.030 x 45°
GS4997-70	0.4997	7.000	.030 x 45°
GS4997-72	0.4997	7.250	.030 x 45°
GS4997-75	0.4997	7.500	.030 x 45°
GS4997-77	0.4997	7.750	.030 x 45°
GS4997-80	0.4997	8.000	.030 x 45°
GS4997-82	0.4997	8.250	.030 x 45°
GS4997-85	0.4997	8.500	.030 x 45°

Part Number	Actual Diameter	Length	Chamfer
GS4997-90	0.4997	9.000	.030 x 45°
GS4997-95	0.4997	9.500	.030 x 45°
GS4997-100	0.4997	10.000	.030 x 45°
GS4997-110	0.4997	11.000	.030 x 45°
GS4997-120	0.4997	12.000	.030 x 45°
GS4997-130	0.4997	13.000	.030 x 45°
GS4997-140	0.4997	14.000	.030 x 45°
GS4997-150	0.4997	15.000	.030 x 45°
GS4997-160	0.4997	16.000	.030 x 45°
GS4997-180	0.4997	18.000	.030 x 45°
GS4997-200	0.4997	20.000	.030 x 45°
GS4997-220	0.4997	22.000	.030 x 45°
GS4997-240	0.4997	24.000	.030 x 45°
GS4997-260	0.4997	26.000	.030 x 45°
GS4997-280	0.4997	28.000	.030 x 45°
GS4997-300	0.4997	30.000	.030 x 45°
GS4997-320	0.4997	32.000	.030 x 45°
GS4997-340	0.4997	34.000	.030 x 45°
GS4997-360	0.4997	36.000	.030 x 45°

Precision ground 303 Stainless Steel
400 Lengths from 1" to 36" in 6 diameters
Toleranced for ball bearings

Perfect for use with: ball bearings, pulleys, couplings,
gears, any rotating components

Straightness within .0003"/Inch for 1/8", 3/16", 1/4" diameter

Straightness within .0004"/Inch for all other diameters

From stock delivery

Other materials available from stock: 303, 316, 12L14

Special sizes and other materials are available, please ask

Customizing: grooves, journals, flats, drill holes,
chamfers, special diameters, special lengths

ondrives.us

☎ 1-888-260-7466

📄 516-771-6444

💻 sales@ondrivesus.com

🌐 www.ondrivesus.com