

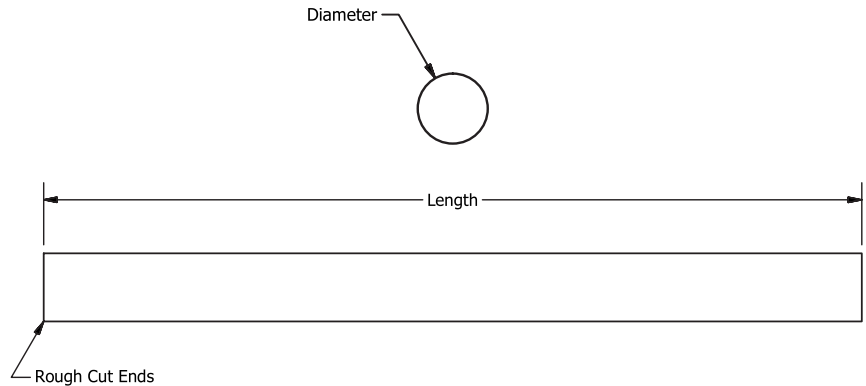
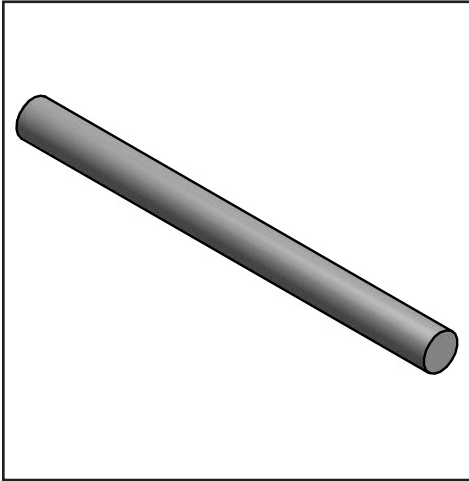
GS

SHAFTS

GS

303 Precision Ground Shafting

Inch - 1/32" to 1-1/4" Diameters
Nominal - Under Size/Oversize Rough Cut Ends



Part Number	Nominal Dia. (Ref)	Diameter (in.)	±1/8" Length
GS0313-120SC	1/32	.0313 -0.0002	12"
GS0317-120SC	1/32	.0317 -0.0002	12"
GS0467-120SC	3/64	.0467 -0.0002	12"
GS0548-120SC	1/16	.0548 -0.0002	12"
GS0622-120SC	1/16	.0622 -0.0002	12"
GS0626-120SC	1/16	.0626 -0.0002	12"
GS0630-120SC	1/16	.0630 -0.0002	12"
GS0778-120SC	5/64	.0778 -0.0002	12"
GS0781-120SC	5/64	.0781 -0.0002	12"
GS0786-120SC	5/64	.0786 -0.0002	12"
GS0934-120SC	3/32	.0934 -0.0002	12"
GS0938-120SC	3/32	.0938 -0.0002	12"
GS0942-120SC	3/32	.0942 -0.0002	12"
GS1251-120SC	1/8	.1251 -0.0002	12"
GS1247-240SC	1/8	.1247 -0.0002	24"
GS1250-240SC	1/8	.1250 -0.0002	24"
GS1251-240SC	1/8	.1251 -0.0002	24"
GS1255-240SC	1/8	.1255 -0.0002	24"
GS1559-240SC	5/32	.1559 -0.0002	24"
GS1562-240SC	5/32	.1562 -0.0002	24"
GS1567-240SC	5/32	.1567 -0.0002	24"

Part Number	Nominal Dia. (Ref)	Diameter (in.)	±1/8" Length
GS1872-240SC	3/16	.1872 -0.0002	24"
GS1875-240SC	3/16	.1875 -0.0002	24"
GS1880-240SC	3/16	.1880 -0.0002	24"
GS2184-240SC	7/32	.2184 -0.0002	24"
GS2187-240SC	7/32	.2187 -0.0002	24"
GS2192-240SC	7/32	.2192 -0.0002	24"
GS2497-240SC	1/4	.2497 -0.0002	24"
GS2500-240SC	1/4	.2500 -0.0002	24"
GS3122-240SC	5/16	.3122 -0.0002	24"
GS3125-240SC	5/16	.3125 -0.0002	24"
GS3130-240SC	5/16	.3130 -0.0002	24"
GS2490-360SC	1/4	.2490 -0.0003	36"
GS2495-360SC	1/4	.2495 -0.0003	36"
GS2497-360SC	1/4	.2497 -0.0002	36"
GS2500-360SC	1/4	.2500 -0.0002	36"
GS2505-360SC	1/4	.2505 -0.0002	36"
GS3740-360SC	3/8	.3740 -0.0003	36"
GS3745-360SC	3/8	.3745 -0.0003	36"
GS3747-360SC	3/8	.3747 -0.0002	36"
GS3750-360SC	3/8	.3750 -0.0002	36"
GS3755-360SC	3/8	.3755 -0.0002	36"

Part Number	Nominal Dia. (Ref)	Diameter (in.)	±1/8" Length
GS4990-360SC	1/2	.4990 -0.0005	36"
GS4995-360SC	1/2	.4995 -0.0005	36"
GS4997-360SC	1/2	.4997 -0.0002	36"
GS5000-360SC	1/2	.5000 -0.0002	36"
GS5005-360SC	1/2	.5005 -0.0002	36"
GS6247-360SC	5/8	.6247 -0.0004	36"
GS6250-360SC	5/8	.6250 -0.0004	36"
GS6255-360SC	5/8	.6255 -0.0004	36"
GS7490-360SC	3/4	.7490 -0.0005	36"
GS7495-360SC	3/4	.7495 -0.0005	36"
GS7497-360SC	3/4	.7497 -0.0004	36"
GS7500-360SC	3/4	.7500 -0.0004	36"
GS7505-360SC	3/4	.7505 -0.0004	36"
GS9990-360SC	1"	.9990 -0.0005	36"
GS9995-360SC	1"	.9995 -0.0005	36"
GS9997-360SC	1"	.9997 -0.0004	36"
GS10000-360SC	1"	1.0000 -0.0004	36"
GS10005-360SC	1"	1.0005 -0.0004	36"
GS12490-360SC	1-1/4	1.2490 -0.0005	36"
GS12495-360SC	1-1/4	1.2495 -0.0005	36"
GS12497-360SC	1-1/4	1.2497 -0.0004	36"

Precision ground 303 Stainless Steel

400 Lengths from 1" to 36" in 6 diameters

Toleranced for ball bearings, available in inch and metric sizes

Perfect for use with: ball bearings, pulleys, couplings, gears, any rotating components

Straightness within .0003"/Inch for 1/8", 3/16", 1/4" diameter

Straightness within .0004"/Inch for all other diameters

From stock delivery

Other materials available from stock: 303, 316, 12L14

Special sizes and other materials are available, please ask

Customizing: grooves, journals, flats, drill holes, thread + tapped holes, chamfers, special diameters, special lengths

ondrives.us

☎ 1-888-260-7466

📄 516-771-6444

💻 sales@ondrivesus.com

🌐 www.ondrivesus.com