

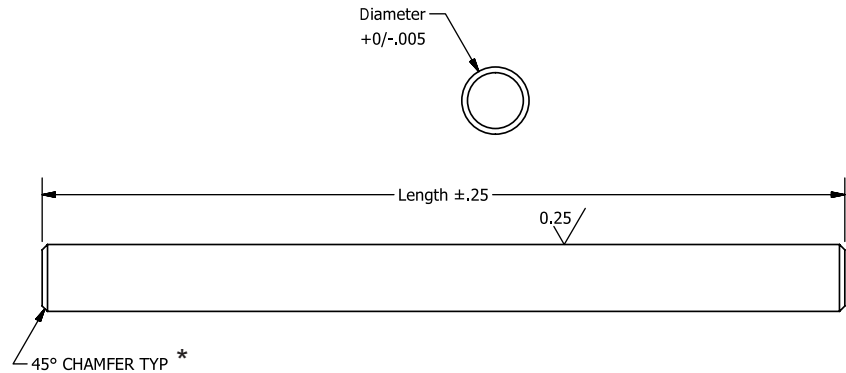
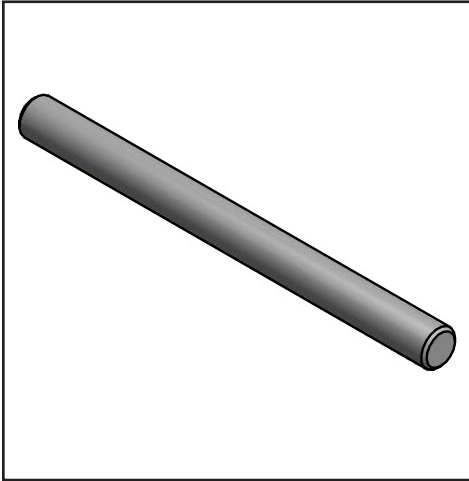
GTM

SHAFTS

Precision Ground Shafting

Metric - 316 Stainless Steel

GTM



Surface Finish .25µin

Rockwell B83

*Chamfered both ends

Part Number	Ref.	+0/-.005 Diameter	+/- 0.25 Length
GTM1000-200	1mm	1.000	200mm
GTM1000-400	1mm	1.000	400mm
GTM1500-200	1.5mm	1.500	200mm
GTM1500-400	1.5mm	1.500	400mm
GTM2000-200	2mm	2.000	200mm
GTM2000-400	2mm	2.000	400mm
GTM2000-600	2mm	2.000	600mm
GTM2000-800	2mm	2.000	800mm
GTM2500-200	2.5mm	2.500	200mm
GTM2500-400	2.5mm	2.500	400mm
GTM2500-600	2.5mm	2.500	600mm
GTM2500-800	2.5mm	2.500	800mm
GTM3000-200	3mm	3.000	200mm
GTM3000-400	3mm	3.000	400mm
GTM3000-600	3mm	3.000	600mm
GTM3000-800	3mm	3.000	800mm
GTM4000-200	4mm	4.000	200mm
GTM4000-400	4mm	4.000	400mm
GTM4000-600	4mm	4.000	600mm
GTM4000-800	4mm	4.000	800mm

Part Number	Ref.	+0/-.005 Diameter	+/- 0.25 Length
GTM5000-200	5mm	5.000	200mm
GTM5000-400	5mm	5.000	400mm
GTM5000-600	5mm	5.000	600mm
GTM5000-800	5mm	5.000	800mm
GTM6000-200	6mm	6.000	200mm
GTM6000-400	6mm	6.000	400mm
GTM6000-600	6mm	6.000	600mm
GTM6000-800	6mm	6.000	800mm
GTM7000-200	7mm	7.000	200mm
GTM7000-400	7mm	7.000	400mm
GTM7000-600	7mm	7.000	600mm
GTM7000-800	7mm	7.000	800mm
GTM8000-200	8mm	8.000	200mm
GTM8000-400	8mm	8.000	400mm
GTM8000-600	8mm	8.000	600mm
GTM8000-800	8mm	8.000	800mm
GTM9000-200	9mm	9.000	200mm
GTM9000-400	9mm	9.000	400mm
GTM9000-600	9mm	9.000	600mm
GTM9000-800	9mm	9.000	800mm
GTM10000-200	10mm	10.000	200mm
GTM10000-400	10mm	10.000	400mm
GTM10000-600	10mm	10.000	600mm
GTM10000-800	10mm	10.000	800mm

Precision ground 316 Stainless Steel

12 Diameters 1mm to 10mm

Lengths from 100mm to 800mm

Straightness:

3mm to 6mm Diameter: 0.010mm/mm

Over 6mm Diameter: 0.015mm/mm

Chamfer: on 3mm Diameter and larger, Break edge below 3mm Diameter**From stock delivery****Other materials available from stock: 303, 17-4 PH, 12L14****Special sizes and other materials are available, please ask****Customizing: grooves, journals, flats, drill holes,****thread + tapped holes, chamfers, special diameters,****special lengths***Chamfered 2.5mm diameter and larger,
Rough cut under 2.5mm diameter

1-888-260-7466

516-771-6444

sales@ondrivesus.com

www.ondrivesus.com