

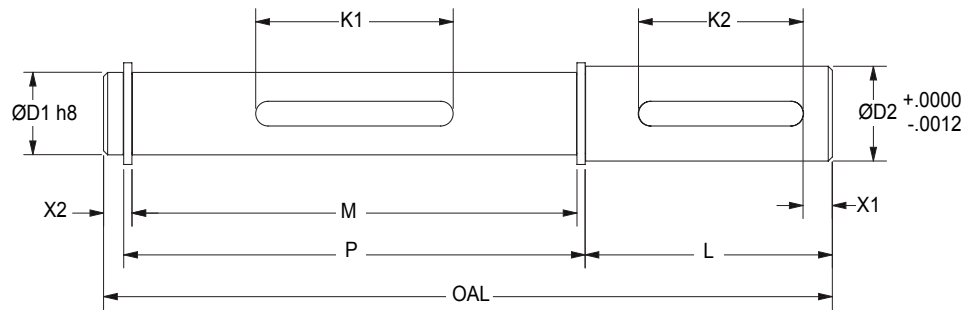
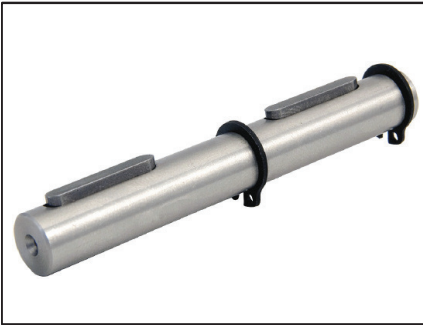
P-XP  
E-XP

# SHAFTS

P-XP  
E-XP

## Gearbox Output Shafts Single Sided

For P,PF, & E Type Gear Reducers



All dimensions in inches.

Part Number	ØD1	ØD2	OAL	M	P	X	L	K1	K2
P20-XP	6mm	1/4	1.797	0.866	0.929	0.118	3/4	KK2-20	3/32 x 1/2
P30-XP	8mm	3/8	2.291	1.102	1.173	0.118	1	KK2-22	3/32 x 1/2
P40-XP	10mm	7/16	2.734	1.260	1.347	0.138	1-1/4	KK3-20	1/8 x 1
P45-XP	12mm	1/2	3.240	1.496	1.583	0.158	1-1/2	KK4-25	1/8 x 1
P55-XP	15mm	5/8	3.805	1.811	1.893	0.158	1-3/4	KK5-30	3/16 x 1
P60-XP	20mm	7/8	4.406	2.126	2.228	0.177	2	KK6-32	1/4 x 1 1/4
P70-XP	25mm	1	4.642	2.362	2.465	0.177	2	KK8-40	1/4 x 1 1/2

Part Number	ØD1	ØD2	OAL	M	P	X	L	K1*	K2
E20-XP	6mm	1/4	2.506	1.575	1.638	0.118	3/4	KK2-36	3/32 x 1/2
E30-XP	10mm	7/16	3.350	2.126	2.213	0.138	1	KK3-50	3/32 x 1/2
E40-XP	15mm	5/8	4.329	2.835	2.921	0.158	1-1/4	KK5-68	3/16 x 1
E50-XP	20mm	7/8	5.244	3.465	3.567	0.177	1-1/2	KK6-84	1/4 x 1 1/4
E60-XP	25mm	1	6.222	4.173	4.276	0.197	1-3/4	KK8-102	1/4 x 1 1/2

\* Combination of keys to form total length

### Material

Stainless Steel 303 shaft. Includes Steel keys and cir-clips.  
Special shafts to your own design are available, P.O.A. Please fax a drawing for a quote.  
CAD drawings available on our website.